

SVENSK STANDARD

SS-EN 12221-2:2008+A1:2013



Fastställt/Approved: 2013-08-25
Publicerad/Published: 2013-08-27
Utgåva/Edition: 1
Språk/Language: engelska/English
ICS: 97.190

Skötbord för hemmabruk – Del 2: Provningsmetoder

Child use and care articles – Changing units for domestic use – Part 2: Test methods

This preview is downloaded from www.sis.se. Buy the entire standard via <https://www.sis.se/std-98871>

Standarder får världen att fungera

SIS (Swedish Standards Institute) är en fristående ideell förening med medlemmar från både privat och offentlig sektor. Vi är en del av det europeiska och globala nätverk som utarbetar internationella standarder. Standarder är dokumenterad kunskap utvecklad av framstående aktörer inom industri, näringsliv och samhälle och befrämjar handel över gränser, bidrar till att processer och produkter blir säkrare samt effektiviserar din verksamhet.

Delta och påverka

Som medlem i SIS har du möjlighet att påverka framtida standarder inom ditt område på nationell, europeisk och global nivå. Du får samtidigt tillgång till tidig information om utvecklingen inom din bransch.

Ta del av det färdiga arbetet

Vi erbjuder våra kunder allt som rör standarder och deras tillämpning. Hos oss kan du köpa alla publikationer du behöver – allt från enskilda standarder, tekniska rapporter och standardpaket till handböcker och onlinetjänster. Genom vår webbtjänst e-nav får du tillgång till ett lättnavigerat bibliotek där alla standarder som är aktuella för ditt företag finns tillgängliga. Standarder och handböcker är källor till kunskap. Vi säljer dem.

Utveckla din kompetens och lyckas bättre i ditt arbete

Hos SIS kan du gå öppna eller företagsinterna utbildningar kring innehåll och tillämpning av standarder. Genom vår närhet till den internationella utvecklingen och ISO får du rätt kunskap i rätt tid, direkt från källan. Med vår kunskap om standarders möjligheter hjälper vi våra kunder att skapa verklig nytta och lönsamhet i sina verksamheter.

Vill du veta mer om SIS eller hur standarder kan effektivisera din verksamhet är du välkommen in på www.sis.se eller ta kontakt med oss på tel 08-555 523 00.



Standards make the world go round

SIS (Swedish Standards Institute) is an independent non-profit organisation with members from both the private and public sectors. We are part of the European and global network that draws up international standards. Standards consist of documented knowledge developed by prominent actors within the industry, business world and society. They promote cross-border trade, they help to make processes and products safer and they streamline your organisation.

Take part and have influence

As a member of SIS you will have the possibility to participate in standardization activities on national, European and global level. The membership in SIS will give you the opportunity to influence future standards and gain access to early stage information about developments within your field.

Get to know the finished work

We offer our customers everything in connection with standards and their application. You can purchase all the publications you need from us - everything from individual standards, technical reports and standard packages through to manuals and online services. Our web service e-nav gives you access to an easy-to-navigate library where all standards that are relevant to your company are available. Standards and manuals are sources of knowledge. We sell them.

Increase understanding and improve perception

With SIS you can undergo either shared or in-house training in the content and application of standards. Thanks to our proximity to international development and ISO you receive the right knowledge at the right time, direct from the source. With our knowledge about the potential of standards, we assist our customers in creating tangible benefit and profitability in their organisations.

If you want to know more about SIS, or how standards can streamline your organisation, please visit www.sis.se or contact us on phone +46 (0)8-555 523 00



Europastandarden EN 12221-2:2008+A1:2013 gäller som svensk standard. Detta dokument innehåller den officiella engelska versionen av EN 12221-2:2008+A1:2013.

Denna standard ersätter SS-EN 12221-2:2008, utgåva 2.

The European Standard EN 12221-2:2008+A1:2013 has the status of a Swedish Standard. This document contains the official version of EN 12221-2:2008+A1:2013.

This standard supersedes the Swedish Standard SS-EN 12221-2:2008, edition 2.

© Copyright/Upphovsrätten till denna produkt tillhör SIS, Swedish Standards Institute, Stockholm, Sverige. Användningen av denna produkt regleras av slutanvändarlicensen som återfinns i denna produkt, se standardens sista sidor.

© Copyright SIS, Swedish Standards Institute, Stockholm, Sweden. All rights reserved. The use of this product is governed by the end-user licence for this product. You will find the licence in the end of this document.

Upplysningar om sakinnehållet i standarden lämnas av SIS, Swedish Standards Institute, telefon 08-555 520 00. Standarder kan beställas hos SIS Förlag AB som även lämnar allmänna upplysningar om svensk och utländsk standard.

Information about the content of the standard is available from the Swedish Standards Institute (SIS), telephone +46 8 555 520 00. Standards may be ordered from SIS Förlag AB, who can also provide general information about Swedish and foreign standards.

Denna standard är framtagen av kommittén för Barnartiklar, SIS/TK 404.

Har du synpunkter på innehållet i den här standarden, vill du delta i ett kommande revideringsarbete eller vara med och ta fram andra standarder inom området? Gå in på www.sis.se - där hittar du mer information.

EUROPEAN STANDARD

EN 12221-2:2008+A1

NORME EUROPÉENNE

EUROPÄISCHE NORM

August 2013

ICS 97.190

Supersedes EN 12221-2:2008

English Version

Child use and care articles - Changing units for domestic use - Part 2: Test methods

Articles de puériculture - Dispositifs à langer à usage
domestique - Partie 2: Méthodes d'essai

Artikel für Säuglinge und Kleinkinder - Wickeleinrichtungen
für den Hausgebrauch - Teil 2: Prüfverfahren

This European Standard was approved by CEN on 18 February 2008 and includes Amendment 1 approved by CEN on 8 July 2013.

CEN members are bound to comply with the CEN/CENELEC Internal Regulations which stipulate the conditions for giving this European Standard the status of a national standard without any alteration. Up-to-date lists and bibliographical references concerning such national standards may be obtained on application to the CEN-CENELEC Management Centre or to any CEN member.

This European Standard exists in three official versions (English, French, German). A version in any other language made by translation under the responsibility of a CEN member into its own language and notified to the CEN-CENELEC Management Centre has the same status as the official versions.

CEN members are the national standards bodies of Austria, Belgium, Bulgaria, Croatia, Cyprus, Czech Republic, Denmark, Estonia, Finland, Former Yugoslav Republic of Macedonia, France, Germany, Greece, Hungary, Iceland, Ireland, Italy, Latvia, Lithuania, Luxembourg, Malta, Netherlands, Norway, Poland, Portugal, Romania, Slovakia, Slovenia, Spain, Sweden, Switzerland, Turkey and United Kingdom.



EUROPEAN COMMITTEE FOR STANDARDIZATION
COMITÉ EUROPÉEN DE NORMALISATION
EUROPÄISCHES KOMITEE FÜR NORMUNG

Management Centre: Avenue Marnix 17, B-1000 Brussels

Contents		Page
Foreword		4
1 Scope		5
2 Normative references		5
3 General test conditions		5
3.1 Preliminary preparation		5
3.2 Application of forces		5
3.3 Tolerances		5
3.4 Test sequence		6
4 Test equipment		6
4.1 General		6
4.2 Measuring cones		6
4.3 Finger probes		6
4.4 Test cylinder		7
4.5 Test floor for floor standing units		7
4.6 Test wall for wall mounted units		7
4.7 Test base for bath mounted units		7
4.8 Stops		7
4.9 Test mass		7
4.10 Small parts cylinder		7
4.11 Test beam		8
4.12 Measuring rods for test beam		8
4.13 Tube		8
4.14 Steel ball		8
4.15 Side impacter		9
4.16 Child's head probes		10
4.16.1 Head probe 1		10
4.16.2 Head probe 2		10
4.17 Loading pad		11
5 Test procedure		11
5.1 Assembly and inspection before test		11
5.2 Measurement of changing area		11
5.2.1 Measurement of width		11
5.2.2 Measurement of the length		12
5.3 Measurement of gaps, holes and openings		12
5.3.1 Finger entrapment		12
5.3.2 Limb entrapment		12
5.3.3 Entrapment of head, neck and torso		12
5.3.4 Cords, strings and other narrow fabrics		12
5.3.5 Loops		12
5.3.6 Edges and protruding parts		12
5.4 Moving parts		13
5.5 Small detachable components		13
5.6 Stability		13
5.6.1 General		13
5.6.2 Stability of floor standing changing units		14
5.6.3 Stability of bathtub mounted changing units		15
5.7 Strength		17
5.8 Barriers		17
5.9 Changing board flap		18

5.9.1	Impact test	18
5.9.2	Drop test	19
5.10	Locking and folding of the complete unit	19
5.11	Child bathtub	19
5.11.1	Static strength	19
5.11.2	Thermal test	19
5.11.3	Child bathtub impact test	20
5.12	Castors and/or wheels	20
6	Test report	20

SS-EN 12221-2:2008+A1:2013 (E)

Foreword

This document (EN 12221-2:2008+A1:2013) has been jointly prepared by Technical Committee CEN/TC 252 "Child use and care articles", the secretariat of which is held by AFNOR.

This document has been jointly prepared in collaboration with CEN/TC 207 "Furniture", the secretariat of which is held by UNI.

This European Standard shall be given the status of a national standard, either by publication of an identical text or by endorsement, at the latest by February 2014, and conflicting national standards shall be withdrawn at the latest by February 2014.

Attention is drawn to the possibility that some of the elements of this document may be the subject of patent rights. CEN [and/or CENELEC] shall not be held responsible for identifying any or all such patent rights.

This document supersedes $\boxed{A_1}$ EN 12221-2:2008 $\boxed{A_1}$.

This document includes Amendment 1 approved by CEN on 2013-07-08.

The start and finish of text introduced or altered by amendment is indicated in the text by tags $\boxed{A_1}$ $\boxed{A_1}$.

This European Standard is one part of the series of standards of EN 12221 "Changing units for domestic use" consisting of the following parts:

- Part 1: Safety requirements
- Part 2: Test methods

According to the CEN-CENELEC Internal Regulations, the national standards organizations of the following countries are bound to implement this European Standard: Austria, Belgium, Bulgaria, Croatia, Cyprus, Czech Republic, Denmark, Estonia, Finland, Former Yugoslav Republic of Macedonia, France, Germany, Greece, Hungary, Iceland, Ireland, Italy, Latvia, Lithuania, Luxembourg, Malta, Netherlands, Norway, Poland, Portugal, Romania, Slovakia, Slovenia, Spain, Sweden, Switzerland, Turkey and the United Kingdom.

1 Scope

This part of EN 12221 specifies test methods that assess the safety of changing units.

It should be noted that the effect of ageing and degradation of materials is not included.

2 Normative references

The following referenced documents are indispensable for the application of this document. For dated references, only the edition cited applies. For undated references, the latest edition of the referenced document (including any amendments) applies.

EN 12221-1:2008+A1:2013, *Child use and care articles – Changing units for domestic use – Part 1: Safety requirements*

ISO 7619-2, *Rubber, vulcanized or thermoplastic – Determination of indentation hardness – Part 2: IRHD pocket meter method*

3 General test conditions

3.1 Preliminary preparation

The sample for testing shall be stored in indoor ambient conditions for at least one week immediately prior to testing – any variations from this procedure shall be justified in the report.

Before testing, any fabrics used shall be cleaned or washed and dried twice following the manufacturer's instructions.

The test shall be carried out in indoor ambient conditions, but if during a test the atmosphere temperature is outside the range 15 °C or above 25 °C, the maximum and/or minimum temperature shall be recorded in the test report.

The changing unit shall be tested as delivered. If of knock-down type, it shall be assembled according to the instructions supplied with the unit. If the changing unit can be assembled or combined in different ways, the most onerous combinations shall be used for each test.

All fittings shall be tightened in accordance with the manufacturer's instructions and shall not be retightened throughout the test procedure.

3.2 Application of forces

The forces in the static load tests shall be applied sufficiently slowly to ensure that negligible dynamic force is applied.

The forces in the durability tests shall be applied at a rate to ensure that excessive heating does not occur.

3.3 Tolerances

Unless otherwise stated, the following tolerances apply:

Forces: $\pm 5\%$ of the nominal force;

Masses: $\pm 0,5\%$ of the nominal mass;

SS-EN 12221-2:2008+A1:2013 (E)

Dimensions: $\pm 1,0$ mm of the nominal dimension;

Angles: $\pm 2^\circ$ of the nominal angle;

Positioning of loading pads: ± 5 mm;

Duration of forces: (2 ± 1) s for durability tests and (10 ± 2) s for static load tests

The tests are described in terms of the application of forces. Masses can however be used. The relationship $10 \text{ N} = 1 \text{ kg}$ may be used for this purpose.

3.4 Test sequence

The tests shall be carried out in the order laid down in this standard and on the same changing unit.

4 Test equipment

4.1 General

Unless otherwise specified, test forces may be applied by any suitable device, which does not adversely affect the results.

4.2 Measuring cones

Cones made of plastics or other hard, smooth material with an angle of $30^\circ \pm 0,5^\circ$ having diameters 25 mm (0/- 0,1 mm), 45 mm (0/+ 0,1 mm) and 65 mm (0/- 0,1 mm) (see Figure 1).

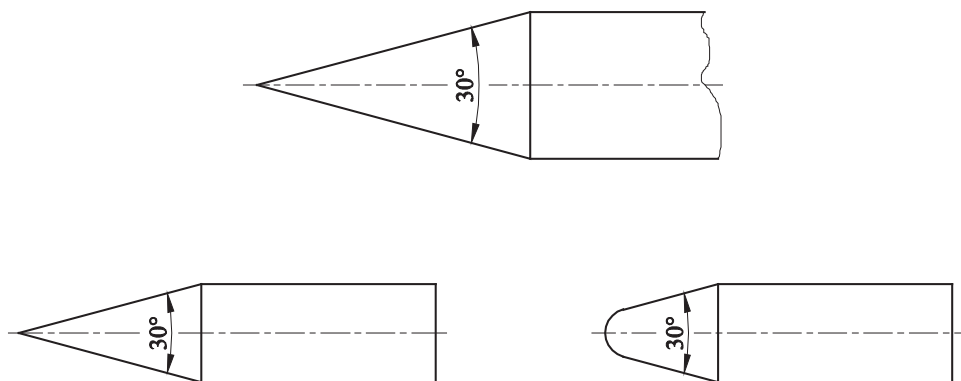
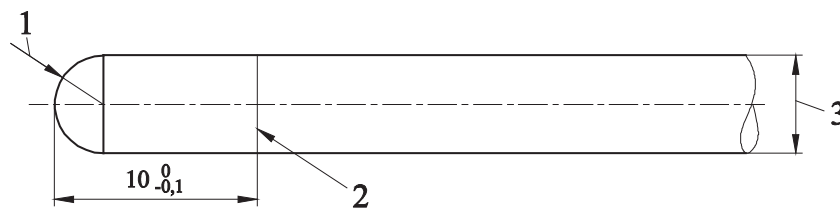


Figure 1 — Examples of measuring cones

4.3 Finger probes

There shall be two probes made from plastics or other hard, smooth material of diameters 7 mm and 12 mm with a full hemispherical end, see Figure 2.

Dimensions in millimetres



Key

- 1 R 3,5 mm or R 6 mm
- 2 Line scribed around circumference showing depth of penetration
- 3 \varnothing 7 mm (0/ - 0,1) or \varnothing 12 mm (+0,1/ 0)

Figure 2 — Example of finger probes

4.4 Test cylinder

A cylinder with a hard and smooth surface, 200 mm in diameter, 300 mm in length with a mass of 15 kg (+ 0,075 kg / 0). Its centre of gravity shall be in the centre of the axis of rotation. The edges shall have a radius of 5 mm.

4.5 Test floor for floor standing units

The test floor shall be horizontal, rigid, flat and smooth.

4.6 Test wall for wall mounted units

The test wall shall be vertical, rigid, flat and smooth.

4.7 Test base for bath mounted units

Test base for bath mounted units representing the upper bath wall section made of hard and smooth material with dimensions in accordance with Figure 9b). The profiles shall be fixed parallel to the distance equal to the minimum bath dimension recommended by the manufacturer.

4.8 Stops

Stops to prevent the article from sliding but not tilting, not higher than 12 mm except in cases where the design of the item necessitates the use of higher stops, in which case the lowest that will prevent the item from moving shall be used.

4.9 Test mass

Cylindrical test mass of 5 kg and diameter not greater than 200 mm.

4.10 Small parts cylinder

Cylinder with dimensions as given in Figure 3.