

SVENSK STANDARD

SS 550100-2:2017



Fastställt/Approved: 2017-11-13
Publicerad/Published: 2017-12-06
Utgåva/Edition: 1
Språk/Language: engelska/English
ICS: 43.040.70

Vägfordon – Utbytbarhet vid tillämpning – Del 2: Dragögla 57 mm

Commercial road vehicles – Interchangeability in application – Part 2: Drawbar eye 57 mm

This preview is downloaded from www.sis.se. Buy the entire standard via <https://www.sis.se/std-8029525>

Standarder får världen att fungera

SIS (Swedish Standards Institute) är en fristående ideell förening med medlemmar från både privat och offentlig sektor. Vi är en del av det europeiska och globala nätverk som utarbetar internationella standarder. Standarder är dokumenterad kunskap utvecklad av framstående aktörer inom industri, näringsliv och samhälle och befrämjar handel över gränser, bidrar till att processer och produkter blir säkrare samt effektiviserar din verksamhet.

Delta och påverka

Som medlem i SIS har du möjlighet att påverka framtida standarder inom ditt område på nationell, europeisk och global nivå. Du får samtidigt tillgång till tidig information om utvecklingen inom din bransch.

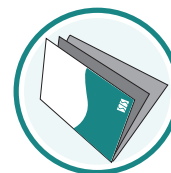
Ta del av det färdiga arbetet

Vi erbjuder våra kunder allt som rör standarder och deras tillämpning. Hos oss kan du köpa alla publikationer du behöver – allt från enskilda standarder, tekniska rapporter och standardpaket till handböcker och onlinetjänster. Genom vår webbtjänst e-nav får du tillgång till ett lättnavigerat bibliotek där alla standarder som är aktuella för ditt företag finns tillgängliga. Standarder och handböcker är källor till kunskap. Vi säljer dem.

Utveckla din kompetens och lyckas bättre i ditt arbete

Hos SIS kan du gå öppna eller företagsinterna utbildningar kring innehåll och tillämpning av standarder. Genom vår närhet till den internationella utvecklingen och ISO får du rätt kunskap i rätt tid, direkt från källan. Med vår kunskap om standarders möjligheter hjälper vi våra kunder att skapa verklig nytta och lönsamhet i sina verksamheter.

Vill du veta mer om SIS eller hur standarder kan effektivisera din verksamhet är du välkommen in på www.sis.se eller ta kontakt med oss på tel 08-555 523 00.



Standards make the world go round

SIS (Swedish Standards Institute) is an independent non-profit organisation with members from both the private and public sectors. We are part of the European and global network that draws up international standards. Standards consist of documented knowledge developed by prominent actors within the industry, business world and society. They promote cross-border trade, they help to make processes and products safer and they streamline your organisation.

Take part and have influence

As a member of SIS you will have the possibility to participate in standardization activities on national, European and global level. The membership in SIS will give you the opportunity to influence future standards and gain access to early stage information about developments within your field.

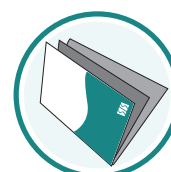
Get to know the finished work

We offer our customers everything in connection with standards and their application. You can purchase all the publications you need from us - everything from individual standards, technical reports and standard packages through to manuals and online services. Our web service e-nav gives you access to an easy-to-navigate library where all standards that are relevant to your company are available. Standards and manuals are sources of knowledge. We sell them.

Increase understanding and improve perception

With SIS you can undergo either shared or in-house training in the content and application of standards. Thanks to our proximity to international development and ISO you receive the right knowledge at the right time, direct from the source. With our knowledge about the potential of standards, we assist our customers in creating tangible benefit and profitability in their organisations.

If you want to know more about SIS, or how standards can streamline your organisation, please visit www.sis.se or contact us on phone +46 (0)8-555 523 00



© Copyright/Upphovsrätten till denna produkt tillhör SIS, Swedish Standards Institute, Stockholm, Sverige. Användningen av denna produkt regleras av slutanvändarlicensen som återfinns i denna produkt, se standardens sista sidor.

© Copyright SIS, Swedish Standards Institute, Stockholm, Sweden. All rights reserved. The use of this product is governed by the end-user licence for this product. You will find the licence in the end of this document.

Uppllysningar om sakinnehållet i standarden lämnas av SIS, Swedish Standards Institute, telefon 08-555 520 00. Standarder kan beställas hos SIS Förlag AB som även lämnar allmänna uppllysningar om svensk och utländsk standard.

Information about the content of the standard is available from the Swedish Standards Institute (SIS), telephone +46 8 555 520 00. Standards may be ordered from SIS Förlag AB, who can also provide general information about Swedish and foreign standards.

Standarden är framtagen av kommittén för Sammankoppling av fordon samt utvändiga anordningar, SIS/TK 234.

Har du synpunkter på innehållet i den här standarden, vill du delta i ett kommande revideringsarbete eller vara med och ta fram andra standarder inom området? Gå in på www.sis.se - där hittar du mer information.

SS 550100-2:2017 (En)

Table of content

Introduction	3
1 Scope	4
2 Normative references	4
3 Terms and definitions	4
4 Designation	5
4.1. Referencing	5
4.2. Reference	5
5 Installation categories.....	5
6 Drawbar eye	5
6.1 General	5
6.2 Characteristic performance values	5
6.3 Dimensions	5
7 Test requirements	7

Introduction

This standard applies to drawbar eyes for commercial vehicles. This standard is part of the series SS 550100. There are two series of standards which concern interchangeability. The interchangeability is divided into two parts, interchangeability in installation and interchangeability in application.

The series of standards include:

SS 550000-1, *Commercial road vehicles – Interchangeability in installation – Part 1: Drawbar coupling*

SS 550000-2, *Commercial road vehicles – Interchangeability in installation – Part 2: Drawbar eye*

SS 550100-1, *Commercial road vehicles – Interchangeability in application – Part 1: Clevis coupling 57 mm*

SS 550100-2, *Commercial road vehicles – Interchangeability in application – Part 2: Drawbar eye 57 mm*

This standard draws on SS-ISO 3584. SS-ISO 3584 defines 50 mm clevis coupling while a standard for 57 mm clevis coupling has hitherto been missing. While introducing a standard for 57 mm clevis couplings a new structure is introduced to this new standard. It is splitting information relevant for OEM:s from information relevant to end users. Furthermore, many non-value adding dimensions are deleted from the standard as compared to SS-ISO 3584. The current series of national standards focus on the geometric compatibility with specific address to 57 mm clevis couplings which are dominating in Sweden. A number of different coupling classes based on different performance values as in SS-ISO 3584 are not adopted. Hence the structure becomes simpler. Further information on interchangeability in installation is needed when mounting the equipment i.e. one or a couple of times during the lifetime of the vehicle. Information on interchangeability in application is needed almost every day. Accordingly, the structure of this series of standards, is tuned to the need of the user at different stages.

SS 550100-2:2017 (En)

1 Scope

This Standard specifies the characteristics of 57 mm drawbar eyes, necessary for interchangeability in applications together with drawbar eyes 57 mm to tow a trailer.

This Standard is applicable to mechanical connections designed for commercial vehicles and trailers, the maximum mass of which is above 3,5 t.

2 Normative references

This paragraph is referencing the below listed documents that are required when applying this document. For dated references only that edition of the document applies. For undated references the latest valid edition of the document applies.

SS-ISO 8718, *Commercial road vehicles – Clevis couplings and eyes for hinged drawbars – Strength tests*

SS-ISO 12357-1, *Commercial road vehicles – Clevis couplings and eyes for rigid drawbars – Strength tests*

SS 550000-1, *Commercial road vehicles – Interchangeability in installations – Part 1: Drawbar coupling*

SS 550000-2, *Commercial road vehicles – Interchangeability in installations – Part 2: Drawbar eye*

SS 550100-1, *Commercial road vehicles – Interchangeability in application – Part 1: Clevis coupling 57 mm*

3 Terms and definitions

For the purposes of this document, the following terms and definitions apply.

3.1 drawbar
<hinged> structure connected through a hinge to the front end of the towed vehicle through which the towed vehicle is mechanically coupled to the towing vehicle by means of a clevis coupling

3.2 drawbar
<rigid> structure rigidly connected to the front of the towed vehicle through which the towed vehicle is mechanically coupled to the towing vehicle by means of a clevis coupling

NOTE 1 TO ENTRY: For special applications, hinged drawbars with drawbar eyes in both ends exist.

3.3 drawbar eye
component fitted to the forward extreme of the drawbar to enable mechanical coupling to a clevis coupling. A drawbar eye can be either toroidal or have a specific detailed design with a specific internal diameter

3.4 clevis coupling
component that by means of a bolt or hook locks the drawbar eye to the towing vehicle

3.5 clevis coupling
coupling that has a clevis to hold a bolt that locks the drawbar eye to the towing vehicle

3.6 characteristic performance value
performance value that shows the capacity of the coupling to transfer longitudinal or vertical forces between towing and towed vehicles

4 Designation

4.1. Referencing

Reference may be made to this standard for drawbar eyes concerning the drawbar eye dimensions.

4.2. Reference

Drawbar eyes meeting the requirements of this standard shall be identified by the following information, in the order given:

- a) reference to this standard
- b) code D57

EXAMPLE SS 550100-2 D57

5 Installation categories

A drawbar eye according to this standard may be installed according to the SS 550000-2 installation categories 1, 2 and x.

6 Drawbar eye

6.1 General

The D57 drawbar eyes shall only be used with C57 clevis couplings, according to SS 550100-1. The drawbar eye shall not be able to rotate axially.

NOTE Dimensions for ensuring operating clearance between towing vehicles and trailers are given in SS-ISO 11406 and SS-ISO 11407

6.2 Characteristic performance values

A drawbar eye according to this standard shall have characteristic performance values defined for D-, D_c- and V-values. Those performance values shall be in kN. The characteristic performance value S indicating the static load on the coupling shall be 1 000 kg. In cases where the drawbar eye is not intended for applications (e.g. center axle trailers, dollies) containing vertical loads on the coupling the D_c-, V- and S-values may be excluded. The characteristic performance values shall be verified through tests according to paragraph 6 of this standard.

Characteristic performance values shall be verified for all applicable installation categories.

6.3 Dimensions

The external dimensions of the D57 drawbar eye shall be as shown in Figure 1 and Figure 2.

SS 550100-2:2017 (En)

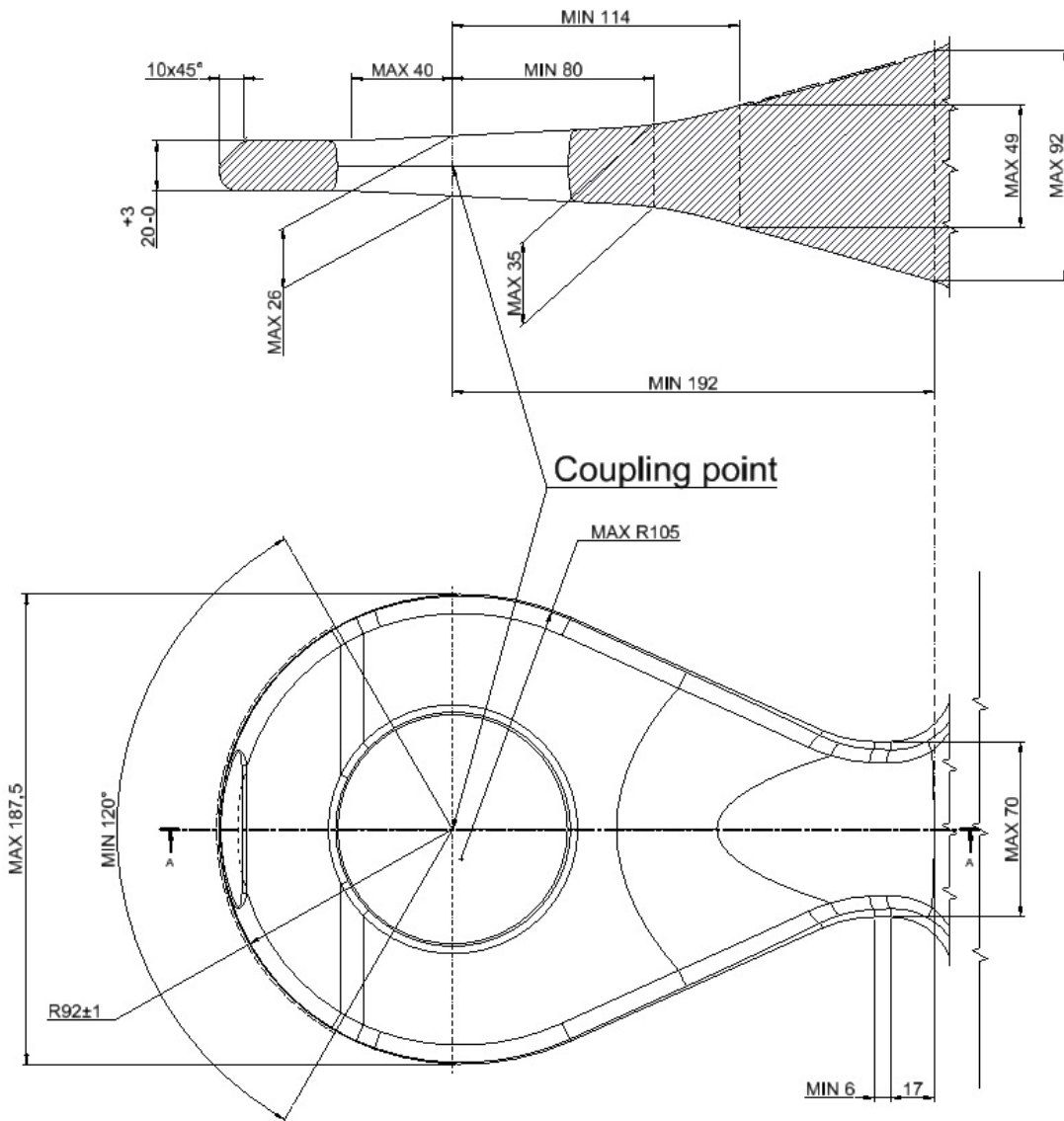


Figure 1 – Drawbar eye D57 – Maximum outer dimensions