

# Teknisk specifikation

## SIS-ISO/TS 13399-204:2016

Publicerad/Published: 2016-02-22  
Utgåva/Edition: 1  
Språk/Language: engelska/English  
ICS: 25.060.01; 25.080.01; 25.100.01; 35.240.50

---

### **Skärande verktyg – Representation och utbyte av data – Del 204: Skapande och utbyte av 3D modeller avseende skär för brotschning (ISO/TS 13399-204:2016, IDT)**

### **Cutting tool data representation and exchange – Part 204: Creation and exchange of 3D models — Inserts for reaming (ISO/TS 13399-204:2016, IDT)**

This preview is downloaded from [www.sis.se](http://www.sis.se). Buy the entire standard via <https://www.sis.se/std-8018878>

# Standarder får världen att fungera

*SIS (Swedish Standards Institute) är en fristående ideell förening med medlemmar från både privat och offentlig sektor. Vi är en del av det europeiska och globala nätverk som utarbetar internationella standarder. Standarder är dokumenterad kunskap utvecklad av framstående aktörer inom industri, näringsliv och samhälle och befrämjar handel över gränser, bidrar till att processer och produkter blir säkrare samt effektiviserar din verksamhet.*

## Delta och påverka

Som medlem i SIS har du möjlighet att påverka framtida standarder inom ditt område på nationell, europeisk och global nivå. Du får samtidigt tillgång till tidig information om utvecklingen inom din bransch.

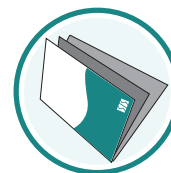
## Ta del av det färdiga arbetet

Vi erbjuder våra kunder allt som rör standarder och deras tillämpning. Hos oss kan du köpa alla publikationer du behöver – allt från enskilda standarder, tekniska rapporter och standardpaket till handböcker och onlinetjänster. Genom vår webbtjänst e-nav får du tillgång till ett lättnavigerat bibliotek där alla standarder som är aktuella för ditt företag finns tillgängliga. Standarder och handböcker är källor till kunskap. Vi säljer dem.

## Utveckla din kompetens och lyckas bättre i ditt arbete

Hos SIS kan du gå öppna eller företagsinterna utbildningar kring innehåll och tillämpning av standarder. Genom vår närhet till den internationella utvecklingen och ISO får du rätt kunskap i rätt tid, direkt från källan. Med vår kunskap om standarders möjligheter hjälper vi våra kunder att skapa verklig nytta och lönsamhet i sina verksamheter.

**Vill du veta mer om SIS eller hur standarder kan effektivisera din verksamhet är du välkommen in på [www.sis.se](http://www.sis.se) eller ta kontakt med oss på tel 08-555 523 00.**



# Standards make the world go round

*SIS (Swedish Standards Institute) is an independent non-profit organisation with members from both the private and public sectors. We are part of the European and global network that draws up international standards. Standards consist of documented knowledge developed by prominent actors within the industry, business world and society. They promote cross-border trade, they help to make processes and products safer and they streamline your organisation.*

## Take part and have influence

As a member of SIS you will have the possibility to participate in standardization activities on national, European and global level. The membership in SIS will give you the opportunity to influence future standards and gain access to early stage information about developments within your field.

## Get to know the finished work

We offer our customers everything in connection with standards and their application. You can purchase all the publications you need from us - everything from individual standards, technical reports and standard packages through to manuals and online services. Our web service e-nav gives you access to an easy-to-navigate library where all standards that are relevant to your company are available. Standards and manuals are sources of knowledge. We sell them.

## Increase understanding and improve perception

With SIS you can undergo either shared or in-house training in the content and application of standards. Thanks to our proximity to international development and ISO you receive the right knowledge at the right time, direct from the source. With our knowledge about the potential of standards, we assist our customers in creating tangible benefit and profitability in their organisations.

**If you want to know more about SIS, or how standards can streamline your organisation, please visit [www.sis.se](http://www.sis.se) or contact us on phone +46 (0)8-555 523 00**



Denna tekniska specifikation är inte en svensk standard. Detta dokument innehåller den engelska språkversionen av ISO/TS 13399-204:2016.

This Technical Specification is not a Swedish Standard. This document contains the English version of ISO/TS 13399-204:2016.

© Copyright/Upphovsrätten till denna produkt tillhör SIS, Swedish Standards Institute, Stockholm, Sverige. Användningen av denna produkt regleras av slutanvändarlicensen som återfinns i denna produkt, se standardens sista sidor.

© Copyright SIS, Swedish Standards Institute, Stockholm, Sweden. All rights reserved. The use of this product is governed by the end-user licence for this product. You will find the licence in the end of this document.

*Uppllysningar om sakinnehållet i detta dokument lämnas av SIS, Swedish Standards Institute, telefon 08-555 520 00. Standarder kan beställas hos SIS Förlag AB som även lämnar allmänna upplysningar om nationell och internationell standard.*

*Information about the content of this document is available from the SIS, Swedish Standards Institute, telephone +46 8 555 520 00. Standards may be ordered from SIS Förlag AB, who can also provide general information about national and international standards.*

Dokumentet är framtaget av kommittén för Skärande verktyg, SIS/TK 273.

Har du synpunkter på innehållet i det här dokumentet, vill du delta i ett kommande revideringsarbete eller vara med och ta fram standarder inom området? Gå in på [www.sis.se](http://www.sis.se) - där hittar du mer information.



# Contents

Page

<b>Foreword</b> .....	<b>iv</b>
<b>Introduction</b> .....	<b>vi</b>
<b>1 Scope</b> .....	<b>1</b>
<b>2 Normative references</b> .....	<b>1</b>
<b>3 Starting elements, coordinate systems, planes</b> .....	<b>1</b>
3.1 General.....	1
3.2 Reference system.....	2
3.3 Coordinate systems.....	2
3.3.1 General.....	2
3.3.2 Coordinate system for the location of the insert.....	2
3.3.3 Coordinate system for the mounting of the insert.....	3
3.4 Planes.....	3
<b>4 Design of the model</b> .....	<b>4</b>
<b>5 Reaming insert with one cutting edge and double plug chamfer</b> .....	<b>4</b>
5.1 General.....	4
5.2 Necessary properties.....	4
5.3 Basic geometry.....	5
5.4 Detailed geometry.....	5
<b>6 Reaming insert with two cutting edges and double plug chamfer</b> .....	<b>6</b>
6.1 General.....	6
6.2 Necessary properties.....	6
6.3 Basic geometry.....	7
6.4 Detailed geometry.....	7
<b>7 Reaming insert with one cutting edge and rounded corner</b> .....	<b>8</b>
7.1 General.....	8
7.2 Necessary properties.....	8
7.3 Basic geometry.....	9
7.4 Detailed geometry.....	9
<b>8 Reaming insert with two cutting edges and rounded corner</b> .....	<b>10</b>
8.1 General.....	10
8.2 Necessary properties.....	10
8.3 Basic geometry.....	10
8.4 Detailed geometry.....	10
<b>9 Reaming insert with special cutting profile</b> .....	<b>11</b>
9.1 General.....	11
9.2 Necessary properties.....	11
9.3 Basic geometry.....	12
9.4 Detailed geometry.....	12
<b>10 Attributes of surfaces — Visualization of the model features</b> .....	<b>12</b>
<b>11 Structure of the design elements (tree of model)</b> .....	<b>12</b>
11.1 General.....	12
11.2 Example of the structure of the design elements.....	12
<b>12 Data exchange model</b> .....	<b>13</b>
<b>Annex A (informative) Information about nominal dimensions</b> .....	<b>14</b>
<b>Bibliography</b> .....	<b>15</b>

## Foreword

ISO (the International Organization for Standardization) is a worldwide federation of national standards bodies (ISO member bodies). The work of preparing International Standards is normally carried out through ISO technical committees. Each member body interested in a subject for which a technical committee has been established has the right to be represented on that committee. International organizations, governmental and non-governmental, in liaison with ISO, also take part in the work. ISO collaborates closely with the International Electrotechnical Commission (IEC) on all matters of electrotechnical standardization.

The procedures used to develop this document and those intended for its further maintenance are described in the ISO/IEC Directives, Part 1. In particular the different approval criteria needed for the different types of ISO documents should be noted. This document was drafted in accordance with the editorial rules of the ISO/IEC Directives, Part 2 (see [www.iso.org/directives](http://www.iso.org/directives)).

Attention is drawn to the possibility that some of the elements of this document may be the subject of patent rights. ISO shall not be held responsible for identifying any or all such patent rights. Details of any patent rights identified during the development of the document will be in the Introduction and/or on the ISO list of patent declarations received (see [www.iso.org/patents](http://www.iso.org/patents)).

Any trade name used in this document is information given for the convenience of users and does not constitute an endorsement.

For an explanation on the meaning of ISO specific terms and expressions related to conformity assessment, as well as information about ISO's adherence to the WTO principles in the Technical Barriers to Trade (TBT) see the following URL: [Foreword - Supplementary information](#)

The committee responsible for this document is ISO/TC 29, *Small tools*.

ISO/TS 13399 consists of the following parts, under the general title *Cutting tool data representation and exchange*:

- *Part 1: Overview, fundamental principles and general information model*
- *Part 2: Reference dictionary for the cutting items* [Technical Specification]
- *Part 3: Reference dictionary for tool items* [Technical Specification]
- *Part 4: Reference dictionary for adaptive items* [Technical Specification]
- *Part 5: Reference dictionary for assembly items* [Technical Specification]
- *Part 50: Reference dictionary for reference systems and common concepts* [Technical Specification]
- *Part 60: Reference dictionary for connection systems* [Technical Specification]
- *Part 80: Creation and exchange of 3D models — Overview and principles* [Technical Specification]
- *Part 100: Definitions, principles and methods for reference dictionaries* [Technical Specification]
- *Part 150: Usage guidelines* [Technical Specification]
- *Part 201: Creation and exchange of 3D models — Regular inserts* [Technical Specification]
- *Part 202: Creation and exchange of 3D models — Irregular inserts* [Technical Specification]
- *Part 203: Creation and exchange of 3D models — Replaceable inserts for drilling* [Technical Specification]
- *Part 204: Creation and exchange of 3D models — Inserts for reaming* [Technical Specification]
- *Part 301: Concept for the design of 3D models based on properties according to ISO/TS 13399-3: Modelling of thread-cutting taps, thread-forming taps and thread-cutting dies* [Technical Specification]

- *Part 302: Concept for the design of 3D models based on properties according to ISO/TS 13399-3: Modelling of solid drills and countersinking tools* [Technical Specification]
- *Part 303: Concept for the design of 3D models based on properties according to ISO/TS 13399-3: Modelling of end mills with solid cutting edges* [Technical Specification]
- *Part 304: Concept for the design of 3D models based on properties according to ISO/TS 13399-3: Modelling of milling cutters with arbor hole and solid cutting edges* [Technical Specification]
- *Part 307: Creation and exchange of 3D models — End mills for indexable inserts* [Technical Specification]
- *Part 308: Creation and exchange of 3D models — Milling cutter with arbor hole for indexable inserts* [Technical Specification]
- *Part 312: Creation and exchange of 3D models — Reamers for indexable inserts* [Technical Specification]
- *Part 401: Creation and exchange of 3D models — Converting, extending and reducing adaptive items* [Technical Specification]

The following parts are under preparation:

- *Part 51: Designation system for customer solution cutting tools* [Technical Specification]
- *Part 70: Graphical data layout — Layer settings for tool designs* [Technical Specification]
- *Part 71: Graphical data layout — Creation of documents for the standardized data exchange — Graphical product information* [Technical Specification]
- *Part 72: Creation of documents for the standardized data exchange — Definition of properties for drawing header and their XML-data exchange* [Technical Specification]
- *Part 309: Creation and exchange of 3D models — Tool holders for indexable inserts* [Technical Specification]
- *Part 311: Creation and exchange of 3D models — Solid reamers* [Technical Specification]
- *Part 405: Creation and exchange of 3D models — Collets* [Technical Specification]

## Introduction

This part of ISO 13399 defines the concept, terms and definitions regarding the creation and exchange of simplified 3D models of inserts for reaming that can be used with 3D models of cutting tools for NC-programming, simulation of manufacturing processes and the collision determination within machining processes. It is not intended to standardize the design of the insert for reaming itself, nor the cutting tool.

An insert for reaming is used in combination with a cutting tool in a machine to remove material from a workpiece by a shearing action at the cutting edges of the tool. Cutting tool data that can be described by ISO 13399 (all parts) include, but are not limited to, everything between the workpiece and the machine tool. Information about inserts, solid tools, assembled tools, adaptors, components and their relationships can be represented by this part of ISO 13399. The increasing demand for providing the end user with 3D models for the purposes defined above is the basis for the development of this series of International Standards.

The objective of ISO 13399 (all parts) is to provide the means to represent the information that describes cutting tools in a computer sensible form that is independent from any particular computer system. The representation will facilitate the processing and exchange of cutting tool data within and between different software systems and computer platforms and support the application of this data in manufacturing planning, cutting operations and the supply of tools. The nature of this description makes it suitable not only for neutral file exchange, but also as a basis for implementing and sharing product databases and for archiving. The methods that are used for these representations are those developed by ISO/TC 184/SC 4 for the representation of product data by using standardized information models and reference dictionaries.

Definitions and identifications of dictionary entries are defined by means of standard data that consist of instances of the EXPRESS entity data types defined in the common dictionary schema, resulting from a joint effort between ISO/TC 184/SC 4 and IEC/TC 3/SC 3D, and in its extensions defined in ISO 13584-24 and ISO 13584-25.



# Cutting tool data representation and exchange —

## Part 204:

# Creation and exchange of 3D models — Inserts for reaming

## 1 Scope

This part of ISO 13399 specifies a concept for the design of cutting items, limited to any kind of replaceable inserts for reaming, using related properties and domains of values.

This part of ISO 13399 specifies a common way of designing simplified models that contain the following:

- definitions and identification of the design features of replaceable inserts for reaming, with a link to the properties used;
- definitions and identification of the internal structure of the 3D model that represents the features and the properties of replaceable inserts for reaming;

The following are outside the scope of this part of ISO 13399:

- applications where these standard data may be stored or referenced;
- creation and exchange of simplified 3D models for cutting tools;
- creation and exchange of simplified 3D models for tool items;
- creation and exchange of simplified 3D models for other cutting items not described in this part of ISO 13399;
- creation and exchange of simplified 3D models for adaptive items;
- creation and exchange of simplified 3D models for assembly items and auxiliary items.

## 2 Normative references

The following documents, in whole or in part, are normatively referenced in this document and are indispensable for its application. For dated references, only the edition cited applies. For undated references, the latest edition of the referenced document (including any amendments) applies.

ISO/TS 13399-2, *Cutting tool data representation and exchange — Part 2: Reference dictionary for the cutting items.*

ISO/TS 13399-80, *Cutting tool data representation and exchange — Part 80: Creation and exchange of 3D models — Overview and principles*

## 3 Starting elements, coordinate systems, planes

### 3.1 General

The creation of 3D models shall be done by means of nominal dimensions.

**WARNING — There is no guarantee that the 3D model, created according to the methods described in this part of ISO 13399, is a true representation of the physical tool supplied by the tool**

**manufacturer. If the models are used for simulation purposes, e.g. CAM simulation, it shall be taken into consideration that the real product dimensions can differ from those nominal dimensions.**

NOTE Some of the definitions have been taken from ISO/TS 13399-50.

### 3.2 Reference system

The reference system consists of the following standard elements:

- **standard coordinate system:** right-handed rectangular Cartesian system in three dimensional space, called primary coordinate system (PCS);
- **three orthogonal planes:** planes in the coordinate system that contain the axes of the system, named XY plane (XYP), XZ plane (XZP) and YZ plane (YZP);
- **three orthogonal axes:** axes built as intersections of the three orthogonal plane lines respectively, named x axis (XA), y axis (YA) and z axis (ZA).

### 3.3 Coordinate systems

#### 3.3.1 General

In principle, an insert has two coordinate systems:

- the primary coordinate system, which determines the position of the insert in the space;
- the secondary coordinate system that helps to mount the insert on to a tool body.

#### 3.3.2 Coordinate system for the location of the insert

The primary coordinate system (PCS), shown in [Figure 1](#), defines the position of the insert in the space. The determinations are the following:

- the insert is located in the XY quadrant;
- the cutting edges are collinear with the XY plane;
- the major cutting edge is collinear with the positive x axis;
- the theoretical sharp cutting point is on the y axis;
- the direction of the insert thickness is parallel to the negative z axis.

These determinations are valid for right handed or neutral inserts. Left-handed inserts shall be mirrored through the YZ plane.

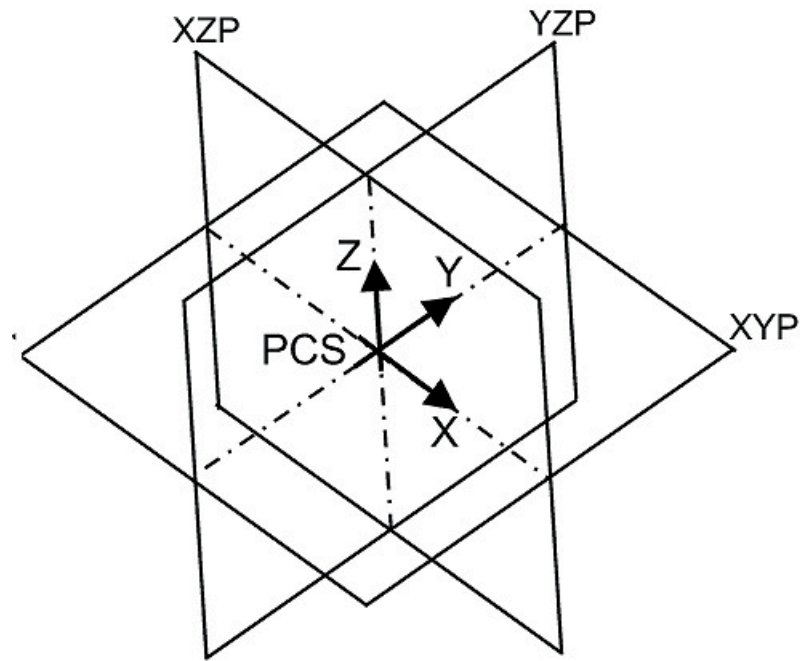


Figure 1 — Reference system PCS

### 3.3.3 Coordinate system for the mounting of the insert

The reference coordinate system mounting coordinate system (MCS) is placed on the XY-plane of the PCS with the same orientation as the PCS, as in [Figure 2](#), with the following determinations:

- the x-axis of MCS (MXA) shall be colinear to the x-axis of PCS (XA);
- the y-axis of MCS (MYA) shall be colinear to the y-axis of PCS (YA);
- the z-axis of MCS (MZA) shall be colinear to the z-axis of PCS (ZA).

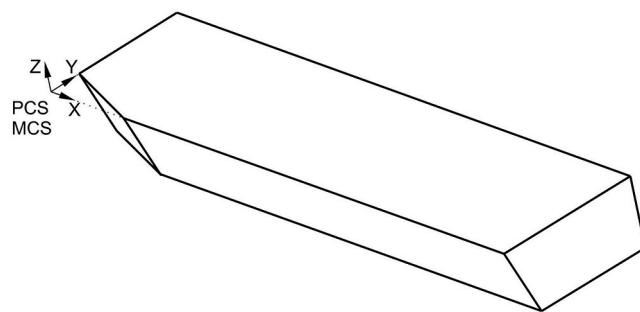


Figure 2 — Mounting coordinate system (MCS)

### 3.4 Planes

To distinguish between the PCS and the MCS planes, the MCS planes shall be given the prefix “M”:

- XYP (PCS) → MXYP (MCS);
- XZP (PCS) → MXZP (MCS);
- YZP (PCS) → MYZP (MCS).