

SVENSK STANDARD

SS-EN 1176-2:2017+AC:2019

**Lekredskap och ytbeläggning –
Del 2: Gungor – Kompletterande säkerhetskrav och
provningsmetoder**

**Playground equipment and surfacing –
Part 2: Additional specific safety requirements and test methods
for swings**



sis Svenska
Institutet för
Standarder

Språk: engelska/English

Utgåva: 1

This preview is downloaded from www.sis.se. Buy the entire standard via <https://www.sis.se/std-80017966>

Den här standarden kan hjälpa dig att effektivisera och kvalitetssäkra ditt arbete. SIS har fler tjänster att erbjuda dig för att underlätta tillämpningen av standarder i din verksamhet.

SIS Abonnemang

Snabb och enkel åtkomst till gällande standard med SIS Abonnemang, en prenumerationstjänst genom vilken din organisation får tillgång till all världens standarder, senaste uppdateringarna och där hela din organisation kan ta del av innehållet i prenumerationen.

Utbildning, event och publikationer

Vi erbjuder även utbildningar, rådgivning och event kring våra mest sålda standarder och frågor kopplade till utveckling av standarder. Vi ger också ut handböcker som underlättar ditt arbete med att använda en specifik standard.

Vill du delta i ett standardiseringsprojekt?

Genom att delta som expert i någon av SIS 300 tekniska kommittéer inom CEN (europeisk standardisering) och/eller ISO (internationell standardisering) har du möjlighet att påverka standardiseringsarbetet i frågor som är viktiga för din organisation. Välkommen att kontakta SIS för att få veta mer!

Kontakt

Skriv till kundservice@sis.se, besök sis.se eller ring 08 - 555 523 10

© Copyright/Upphovsrätten till denna produkt tillhör Svenska institutet för standarder, Stockholm, Sverige. Upphovsrätten och användningen av denna produkt regleras i slutanvändarlicensen som återfinns på sis.se/slutanvandarlicens och som du automatiskt blir bunden av när du använder produkten. För ordlista och förkortningar se sis.se/ordlista.

© Copyright Svenska institutet för standarder, Stockholm, Sweden. All rights reserved. The copyright and use of this product is governed by the end-user licence agreement which you automatically will be bound to when using the product. You will find the licence at sis.se/enduserlicenseagreement.

Upplysningar om sakinnehållet i standarden lämnas av Svenska institutet för standarder, telefon 08 - 555 520 00. Standarder kan beställas hos SIS som även lämnar allmänna upplysningar om svensk och utländsk standard.

Standarden är framtagen av kommittén för Lekredskap, SIS/TK 379.

Har du synpunkter på innehållet i den här standarden, vill du delta i ett kommande revideringsarbete eller vara med och ta fram andra standarder inom området? Gå in på www.sis.se - där hittar du mer information.

Europastandarden EN 1176-2:2017+AC:2019 gäller som svensk standard. Detta dokument innehåller den officiella engelska versionen av EN 1176-2:2017+AC:2019.

Denna standard ersätter SS-EN 1176-2:2017, utgåva 3 och SS-EN 1176-2:2017, utgåva 3.

The European Standard EN 1176-2:2017+AC:2019 has the status of a Swedish Standard. This document contains the official version of EN 1176-2:2017+AC:2019.

This standard supersedes the SS-EN 1176-2:2017, edition 3 and SS-EN 1176-2:2017, edition 3.

EUROPEAN STANDARD

EN 1176-2:2017+AC

NORME EUROPÉENNE

EUROPÄISCHE NORM

October 2019

ICS 97.200.40

Supersedes EN 1176-2:2017

English Version

Playground equipment and surfacing - Part 2: Additional specific safety requirements and test methods for swings

Équipement et sols d'aires de jeux - Partie 2: Exigences de sécurité et méthodes d'essai complémentaires spécifiques aux balançoires

Spielplatzgeräte und Spielplatzböden - Teil 2: Zusätzliche besondere sicherheitstechnische Anforderungen und Prüfverfahren für Schaukeln

This European Standard was approved by CEN on 6 August 2016 and includes Corrigendum approved by CEN on 6 August 2016.

CEN members are bound to comply with the CEN/CENELEC Internal Regulations which stipulate the conditions for giving this European Standard the status of a national standard without any alteration. Up-to-date lists and bibliographical references concerning such national standards may be obtained on application to the CEN-CENELEC Management Centre or to any CEN member.

This European Standard exists in three official versions (English, French, German). A version in any other language made by translation under the responsibility of a CEN member into its own language and notified to the CEN-CENELEC Management Centre has the same status as the official versions.

CEN members are the national standards bodies of Austria, Belgium, Bulgaria, Croatia, Cyprus, Czech Republic, Denmark, Estonia, Finland, France, Germany, Greece, Hungary, Iceland, Ireland, Italy, Latvia, Lithuania, Luxembourg, Malta, Netherlands, Norway, Poland, Portugal, Republic of North Macedonia, Romania, Serbia, Slovakia, Slovenia, Spain, Sweden, Switzerland, Turkey and United Kingdom.



EUROPEAN COMMITTEE FOR STANDARDIZATION
COMITÉ EUROPÉEN DE NORMALISATION
EUROPÄISCHES KOMITEE FÜR NORMUNG

CEN-CENELEC Management Centre: Rue de la Science 23, B-1040 Brussels

SS-EN 1176-2:2017+AC:2019 (E)

Contents	Page
European foreword.....	4
1 Scope	5
2 Normative references	5
3 Terms and definitions	5
4 Safety requirements	9
4.1 General.....	9
4.2 Ground clearance.....	9
4.3 Seat clearance for single point swing (Type 3).....	10
4.4 Minimum clearance and lateral stability of swing seats with more than one point of suspension.....	10
4.5 Means of suspension.....	12
4.6 Impact attenuation of swing seats.....	13
4.6.1 Swing seats and vertical tyre seats.....	13
4.6.2 Cradle swing seats.....	13
4.6.3 Group swing seats.....	13
4.7 Dynamic load for swing equipment.....	14
4.8 Structural integrity.....	14
4.9 Framework.....	14
4.10 Height of fall and impact area.....	14
4.10.1 Free height of fall.....	14
4.10.2 Dimensions of falling space and impact area.....	14
5 Additional type requirements	17
5.1 Swings with several rotational axes (Type 2).....	17
5.2 Single-point swings (Type 3).....	17
5.3 Contact swings (Type 4).....	18
6 Test reports	18
7 Marking	18
Annex A (informative) Recommendations for design and siting of swings	19
Annex B (normative) Determination of swing seat impact attenuation	20
B.1 General.....	20
B.2 Apparatus.....	20
B.3 Procedure.....	21
B.3.1 Flat swing seats.....	21
B.3.2 Cradle swing seats.....	21
B.3.3 Arrangement of test rig.....	21
B.3.4 Raising seat for test.....	21
B.3.5 Support and release of seat.....	21
B.3.6 Collection of data.....	21
B.3.7 Peak acceleration.....	21
B.3.8 Surface compression.....	21
B.3.9 Average surface compression.....	21
B.4 Impact measuring equipment.....	22
B.5 Accuracy of tests.....	22

Annex C (normative) Dynamic load test for suspension systems of swings.....	23
C.1 Principle.....	23
C.2 Procedure.....	23
Bibliography	24

SS-EN 1176-2:2017+AC:2019 (E)

European foreword

This document (EN 1176-2:2017+AC:2019) has been prepared by Technical Committee CEN/TC 136 “Sports, playground and other recreational facilities and equipment”, the secretariat of which is held by DIN.

This European Standard shall be given the status of a national standard, either by publication of an identical text or by endorsement, at the latest by April 2020, and conflicting national standards shall be withdrawn at the latest by April 2020.

Attention is drawn to the possibility that some of the elements of this document may be the subject of patent rights. CEN shall not be held responsible for identifying any or all such patent rights.

This document supersedes AC EN 1176-2:2017 AC.

This document includes Corrigendum 1 issued by CEN on 23 October 2019.

The start and finish of text introduced or altered by corrigendum is indicated in the text by tags AC AC

The main changes are:

- a) amended definition of a swing;
- b) additional figure for an example of a swing with one rotational axis (see Figure 1);
- c) new figure on ground clearance (see Figure 7);
- d) new definition and requirements for group swing seats;
- e) improved recommendations for fences around swings;
- f) revised figure for free height of fall and surfacing requirements beneath a swing (see Figure 10);
- g) harmonization of B.4 and B.5 with the measuring device from the EN 1176 series.

This document is part of a series of standards dealing with playground equipment and surfacing which consists of:

- *Part 1: General safety requirements and test methods;*
- *Part 2: Additional specific safety requirements and test methods for swings;*
- *Part 3: Additional specific safety requirements and test methods for slides;*
- *Part 4: Additional specific safety requirements and test methods for cableways;*
- *Part 5: Additional specific safety requirements and test methods for carousels;*
- *Part 6: Additional specific safety requirements and test methods for rocking equipment;*
- *Part 7: Guidance on installation, inspection, maintenance and operation;*
- *Part 10: Additional specific safety requirements and test methods for fully enclosed play equipment;*

— *Part 11: Additional specific safety requirements and test methods for spatial network.*

This part of EN 1176 will be used in conjunction with parts EN 1176-1, EN 1176-7 and EN 1177.

For inflatable play equipment see EN 14960, *Inflatable play equipment — Safety requirements and test methods.*

According to the CEN/CENELEC Internal Regulations, the national standards organizations of the following countries are bound to implement this European Standard: Austria, Belgium, Bulgaria, Croatia, Cyprus, Czech Republic, Denmark, Estonia, Finland, France, Germany, Greece, Hungary, Iceland, Ireland, Italy, Latvia, Lithuania, Luxembourg, Malta, Netherlands, Norway, Poland, Portugal, Republic of North Macedonia, Romania, Serbia, Slovakia, Slovenia, Spain, Sweden, Switzerland, Turkey and the United Kingdom.

1 Scope

This European Standard specifies additional safety requirements for swings intended for permanent installation for use by children. Where the main play function is not swinging, the relevant requirements in this part of EN 1176 may be used, as appropriate.

NOTE Recommendations on the design and siting of swings are given in Annex A.

2 Normative references

The following documents, in whole or in part, are normatively referenced in this document and are indispensable for its application. For dated references, only the edition cited applies. For undated references, the latest edition of the referenced document (including any amendments) applies.

EN 1176-1:2017, *Playground equipment and surfacing — Part 1: General safety requirements and test methods*

EN ISO/IEC 17025, *General requirements for the competence of testing and calibration laboratories (ISO/IEC 17025)*

ISO 6487, *Road vehicles — Measurement techniques in impact tests — Instrumentation*

3 Terms and definitions

For the purposes of this document, the terms and definitions given in EN 1176-1 and the following apply.

NOTE In order not to confine the application of this European Standard to those items of equipment currently in use and to allow freedom of design for the manufacture of new equipment, only the fundamental forms of equipment and motion are defined.

3.1

swing

moving equipment where the weight of the user is supported below a pivot or universal joint, where the pivot or universal joint is more than 1,3 m above the ground

3.2

swing with one rotational axis (Type 1)

seat that is flexibly suspended individually from a load bearing cross beam that can swing to and fro in an arc at right angles to the cross beam

SS-EN 1176-2:2017+AC:2019 (E)

Note 1 to entry: See Figure 1.

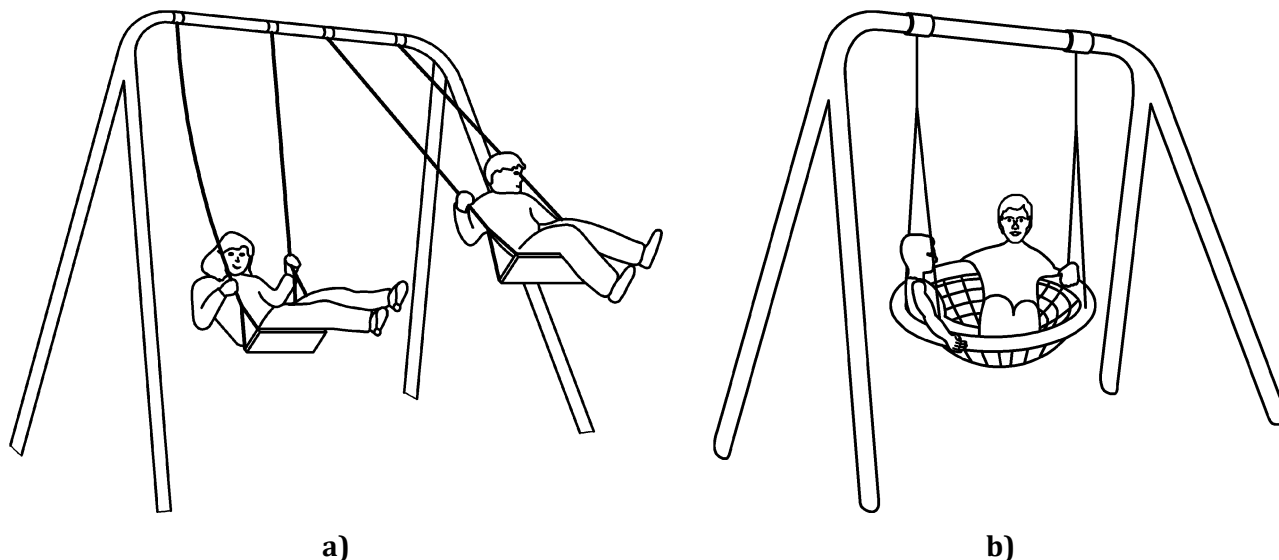


Figure 1 — Examples of a swing with one rotational axis (Type 1)

3.3 swing with several rotational axes (Type 2)

seat suspended from one or more load bearing cross beams, supported in such a way that it can move at right angles or longitudinally to the cross beams in as horizontal position as practicable

Note 1 to entry: See Figure 2.



Figure 2 — Example of a swing with several rotational axes (Type 2)

3.4 single point swing (Type 3)

seat or platform with cables or chains that meet at one fixing point so that the swing can move in all directions

Note 1 to entry: See Figure 3.

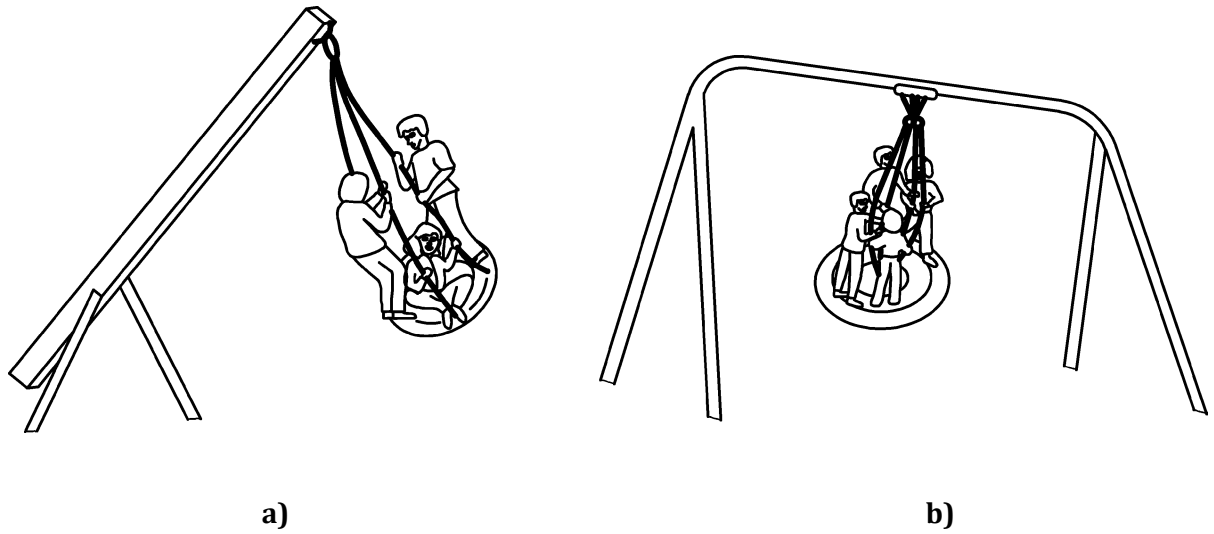


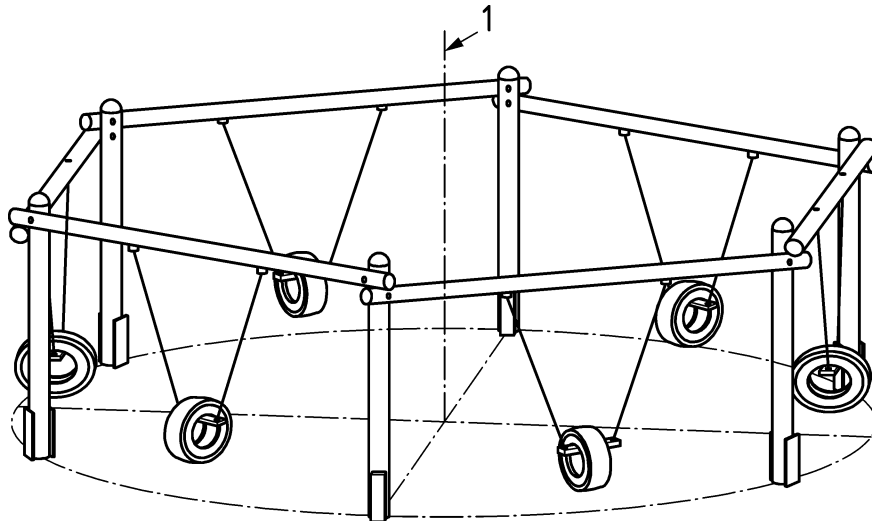
Figure 3 — Examples of a single point swings (Type 3)

3.5

contact swing (Type 4)

group of seats flexibly suspended individually from load bearing cross beams, which are arranged around a central axis (a centre point), typically six in number

Note 1 to entry: See Figure 4.



Key

1 central axis

Figure 4 — Example of a contact swing (Type 4)

3.6

swing height

distance between the middle of the fulcrum of the suspension and the playing surface

Note 1 to entry: See Figure 5.