

SVENSK STANDARD

SS-ISO 11926-1:2019



Fastställt/Approved: 2019-04-25
Utgåva/Edition: 1
Språk/Language: engelska/English
ICS: 23.100.01

**Hydraulik och pneumatik – Anslutningar för allmän användning
– Portar och anslutningsändar med gänga enligt ISO 263 UN och
UNF och O-ringstätning –
Del 1: Portar med O-ringstätning (ISO 11926-1:1995, IDT)**

**Connections for general use and fluid power – Ports and stud
ends with ISO 263 UN and UNF threads and O-ring sealing –
Part 1: Ports with truncated housing for O-ring seal
(ISO 11926-1:1995, IDT)**

This preview is downloaded from www.sis.se. Buy the entire standard via <https://www.sis.se/std-80011470>

Standarder får världen att fungera

SIS (Swedish Standards Institute) är en fristående ideell förening med medlemmar från både privat och offentlig sektor. Vi är en del av det europeiska och globala nätverk som utarbetar internationella standarder. Standarder är dokumenterad kunskap utvecklad av framstående aktörer inom industri, näringsliv och samhälle och befrämjar handel över gränser, bidrar till att processer och produkter blir säkrare samt effektiviserar din verksamhet.

Delta och påverka

Som medlem i SIS har du möjlighet att påverka framtida standarder inom ditt område på nationell, europeisk och global nivå. Du får samtidigt tillgång till tidig information om utvecklingen inom din bransch.

Ta del av det färdiga arbetet

Vi erbjuder våra kunder allt som rör standarder och deras tillämpning. Hos oss kan du köpa alla publikationer du behöver – allt från enskilda standarder, tekniska rapporter och standardpaket till handböcker och onlinetjänster. Genom vår webbtjänst e-nav får du tillgång till ett lättnavigerat bibliotek där alla standarder som är aktuella för ditt företag finns tillgängliga. Standarder och handböcker är källor till kunskap. Vi säljer dem.

Utveckla din kompetens och lyckas bättre i ditt arbete

Hos SIS kan du gå öppna eller företagsinterna utbildningar kring innehåll och tillämpning av standarder. Genom vår närhet till den internationella utvecklingen och ISO får du rätt kunskap i rätt tid, direkt från källan. Med vår kunskap om standarders möjligheter hjälper vi våra kunder att skapa verklig nytta och lönsamhet i sina verksamheter.

Vill du veta mer om SIS eller hur standarder kan effektivisera din verksamhet är du välkommen in på www.sis.se eller ta kontakt med oss på tel 08-555 523 00.



Standards make the world go round

SIS (Swedish Standards Institute) is an independent non-profit organisation with members from both the private and public sectors. We are part of the European and global network that draws up international standards. Standards consist of documented knowledge developed by prominent actors within the industry, business world and society. They promote cross-border trade, they help to make processes and products safer and they streamline your organisation.

Take part and have influence

As a member of SIS you will have the possibility to participate in standardization activities on national, European and global level. The membership in SIS will give you the opportunity to influence future standards and gain access to early stage information about developments within your field.

Get to know the finished work

We offer our customers everything in connection with standards and their application. You can purchase all the publications you need from us - everything from individual standards, technical reports and standard packages through to manuals and online services. Our web service e-nav gives you access to an easy-to-navigate library where all standards that are relevant to your company are available. Standards and manuals are sources of knowledge. We sell them.

Increase understanding and improve perception

With SIS you can undergo either shared or in-house training in the content and application of standards. Thanks to our proximity to international development and ISO you receive the right knowledge at the right time, direct from the source. With our knowledge about the potential of standards, we assist our customers in creating tangible benefit and profitability in their organisations.

If you want to know more about SIS, or how standards can streamline your organisation, please visit www.sis.se or contact us on phone +46 (0)8-555 523 00



Den internationella standarden ISO 11926-1:1995 gäller som svensk standard. Detta dokument innehåller den officiella engelska versionen av ISO 11926-1:1995.

The International Standard ISO 11926-1:1995 has the status of a Swedish Standard. This document contains the official English version of ISO 11926-1:1995.

© Copyright/Upphovsrätten till denna produkt tillhör SIS, Swedish Standards Institute, Stockholm, Sverige. Användningen av denna produkt regleras av slutanvändarlicensen som återfinns i denna produkt, se standardens sista sidor.

© Copyright SIS, Swedish Standards Institute, Stockholm, Sweden. All rights reserved. The use of this product is governed by the end-user licence for this product. You will find the licence in the end of this document.

Upplysningar om sakinnehållet i standarden lämnas av SIS, Swedish Standards Institute, telefon 08-555 520 00. Standarder kan beställas hos SIS som även lämnar allmänna upplysningar om svensk och utländsk standard.

Information about the content of the standard is available from the Swedish Standards Institute (SIS), telephone +46 8 555 520 00. Standards may be ordered from SIS, who can also provide general information about Swedish and foreign standards.

Denna standard är framtagen av kommittén för Hydraulik och pneumatik, SIS/TK 106.

Har du synpunkter på innehållet i den här standarden, vill du delta i ett kommande revideringsarbete eller vara med och ta fram andra standarder inom området? Gå in på www.sis.se - där hittar du mer information.

Contents		Page
Foreword		v
Introduction		vi
1	Scope	1
2	Normative references	1
3	Definitions	1
4	Dimensions	1
5	Test methods	1
6	Designation of ports	2
7	Identification statement (Reference to this part of ISO 11926)	2
Annex A (informative) Bibliography		4

Foreword

ISO (the International Organization for Standardization) is a worldwide federation of national standards bodies (ISO member bodies). The work of preparing International Standards is normally carried out through ISO technical committees. Each member body interested in a subject for which a technical committee has been established has the right to be represented on that committee. International organizations, governmental and non-governmental, in liaison with ISO, also take part in the work. ISO collaborates closely with the International Electrotechnical Commission (IEC) on all matters of electrotechnical standardization.

Draft International Standards adopted by the technical committees are circulated to the member bodies for voting. Publication as an International Standard requires approval by at least 75 % of the member bodies casting a vote.

International Standard ISO 11926-1 was prepared jointly by Technical Committees ISO/TC 131, *Fluid power systems*, Subcommittee SC 4, *Connectors and similar products and components* and ISO/TC 5, *Ferrous metal pipes and metallic fittings*.

ISO 11926 consists of the following parts, under the general title *Connections for general use and fluid power — Ports and stud ends with ISO 725 threads and O-ring sealing*:

- *Part 1: Ports with O-ring seal in truncated housing*
- *Part 2: Heavy-duty (S series) stud ends*
- *Part 3: Light-duty (L series) stud ends*

[Annex A](#) of this part of ISO 11926 is for information only.

Introduction

In fluid power systems, power is transmitted and controlled through a fluid (liquid or gas) under pressure within an enclosed circuit. In general applications, a fluid may be conveyed under pressure.

Components are connected through their threaded ports by fluid connector fittings to tubes and pipes or to hose fittings and hoses.

Ports are an integral part of fluid power components such as pumps, motors, valves, cylinders, etc.

Connections for general use and fluid power — Ports and stud ends with ISO 725 threads and O-ring sealing — Part 1: Ports with O-ring seal in truncated housing

1 Scope

This part of ISO 11926 specifies dimensions for ports with inch threads complying with ISO 725 for use with the adjustable and non-adjustable stud ends detailed in ISO 11926-2 and ISO 11926-3. It also specifies test methods and the designation of these ports.

Ports in accordance with this part of ISO 11926 may be used at working pressures up to 63 MPa (630 bar) for non-adjustable stud ends, and 40 MPa (400 bar) for adjustable stud ends. The permissible working pressure depends upon the port size, materials, design, working conditions, application, etc.

For threaded ports and stud ends specified in new designs in hydraulic fluid power applications, only ISO 6149 is to be used. Threaded ports and stud ends in accordance with ISO 1179, ISO 9974 and ISO 11926 are not to be used for new designs in hydraulic fluid power applications.

2 Normative references

The following standards contain provisions which, through reference in this text, constitute provisions of this part of ISO 11926. At the time of publication, the editions indicated were valid. All standards are subject to revision, and parties to agreements based on this part of ISO 11926 are encouraged to investigate the possibility of applying the most recent editions of the standards indicated below. Members of IEC and ISO maintain registers of currently valid International Standards.

ISO 725:1978, *ISO inch screw threads — Basic dimensions*.

ISO 2306:1972, *Drills for use prior to tapping screw threads*.

ISO 5598:1985, *Fluid power systems and components — Vocabulary*.

ISO 11926-2:1995, *Connections for general use and fluid power — Ports and stud ends with ISO 725 threads and O-ring sealing — Part 2: Heavy-duty (S series) stud ends*.

ISO 11926-3:1995, *Connections for general use and fluid power — Ports and stud ends with ISO 725 threads and O-ring sealing — Part 3: Light-duty (L series) stud ends*.

3 Definitions

For the purposes of this part of ISO 11926, the definitions given in ISO 5598 apply.

4 Dimensions

Ports shall conform to the dimensions shown in [figure 1](#) and given in [table 1](#).

5 Test methods

Ports shall be tested along with stud ends in accordance with the test methods and requirements given in ISO 11926-2 and ISO 11926-3.

6 Designation of ports

The ports shall be designated by

- "Port";
- reference to this part of ISO 11926, i.e. ISO 11926-1;
- thread size d_1) and number of threads per inch (n), separated by a hyphen, without indicating the fine thread series (UNF) or the constant-pitch series (UN) and the thread class symbol (2B).

EXAMPLE Port ISO 11926-1 - 1/2 - 20

7 Identification statement (Reference to this part of ISO 11926)

Use the following statement in test reports, catalogues and sales literature when electing to comply with this part of ISO 11926:

"Ports conform to ISO 11926-1:1995, *Connections for general use and fluid power — Ports and stud ends with ISO 725 threads and O-ring sealing — Part 1: Ports with O-ring seal in truncated housing.*"

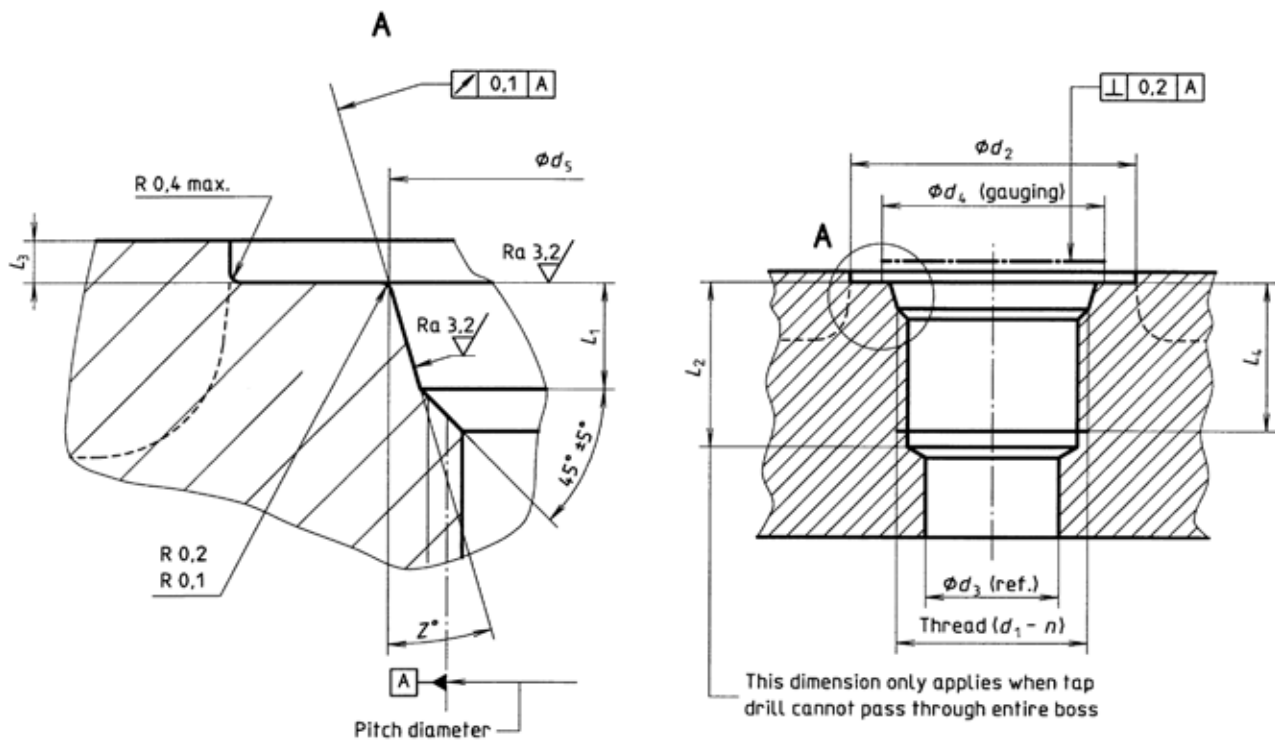


Figure 1 — Port