

SVENSK STANDARD

SS-EN 14351-2:2018



Fastställt/Approved: 2018-11-12
Utgåva/Edition: 1
Språk/Language: engelska/English
ICS: 91.060.50

Fönster och dörrar – Produktstandard, prestandaegenskaper – Del 2: Innerdörrar

Windows and doors – Product standard, performance characteristics – Part 2: Internal pedestrian doorsets

This preview is downloaded from www.sis.se. Buy the entire standard via <https://www.sis.se/std-80007765>

Standarder får världen att fungera

SIS (Swedish Standards Institute) är en fristående ideell förening med medlemmar från både privat och offentlig sektor. Vi är en del av det europeiska och globala nätverk som utarbetar internationella standarder. Standarder är dokumenterad kunskap utvecklad av framstående aktörer inom industri, näringsliv och samhälle och befrämjar handel över gränser, bidrar till att processer och produkter blir säkrare samt effektiviserar din verksamhet.

Delta och påverka

Som medlem i SIS har du möjlighet att påverka framtida standarder inom ditt område på nationell, europeisk och global nivå. Du får samtidigt tillgång till tidig information om utvecklingen inom din bransch.

Ta del av det färdiga arbetet

Vi erbjuder våra kunder allt som rör standarder och deras tillämpning. Hos oss kan du köpa alla publikationer du behöver – allt från enskilda standarder, tekniska rapporter och standardpaket till handböcker och onlinetjänster. Genom vår webbtjänst e-nav får du tillgång till ett lättnavigerat bibliotek där alla standarder som är aktuella för ditt företag finns tillgängliga. Standarder och handböcker är källor till kunskap. Vi säljer dem.

Utveckla din kompetens och lyckas bättre i ditt arbete

Hos SIS kan du gå öppna eller företagsinterna utbildningar kring innehåll och tillämpning av standarder. Genom vår närhet till den internationella utvecklingen och ISO får du rätt kunskap i rätt tid, direkt från källan. Med vår kunskap om standarders möjligheter hjälper vi våra kunder att skapa verklig nytta och lönsamhet i sina verksamheter.

Vill du veta mer om SIS eller hur standarder kan effektivisera din verksamhet är du välkommen in på www.sis.se eller ta kontakt med oss på tel 08-555 523 00.



Standards make the world go round

SIS (Swedish Standards Institute) is an independent non-profit organisation with members from both the private and public sectors. We are part of the European and global network that draws up international standards. Standards consist of documented knowledge developed by prominent actors within the industry, business world and society. They promote cross-border trade, they help to make processes and products safer and they streamline your organisation.

Take part and have influence

As a member of SIS you will have the possibility to participate in standardization activities on national, European and global level. The membership in SIS will give you the opportunity to influence future standards and gain access to early stage information about developments within your field.

Get to know the finished work

We offer our customers everything in connection with standards and their application. You can purchase all the publications you need from us - everything from individual standards, technical reports and standard packages through to manuals and online services. Our web service e-nav gives you access to an easy-to-navigate library where all standards that are relevant to your company are available. Standards and manuals are sources of knowledge. We sell them.

Increase understanding and improve perception

With SIS you can undergo either shared or in-house training in the content and application of standards. Thanks to our proximity to international development and ISO you receive the right knowledge at the right time, direct from the source. With our knowledge about the potential of standards, we assist our customers in creating tangible benefit and profitability in their organisations.

If you want to know more about SIS, or how standards can streamline your organisation, please visit www.sis.se or contact us on phone +46 (0)8-555 523 00



Europastandarden EN 14351-2:2018 gäller som svensk standard. Detta dokument innehåller den officiella engelska versionen av EN 14351-2:2018.

Denna standard ersätter SS 817303.

The European Standard EN 14351-2:2018 has the status of a Swedish Standard. This document contains the official version of EN 14351-2:2018.

This standard supersedes the Swedish Standard SS 817303.

© Copyright/Upphovsrätten till denna produkt tillhör SIS, Swedish Standards Institute, Stockholm, Sverige. Användningen av denna produkt regleras av slutanvändarlicensen som återfinns i denna produkt, se standardens sista sidor.

© Copyright SIS, Swedish Standards Institute, Stockholm, Sweden. All rights reserved. The use of this product is governed by the end-user licence for this product. You will find the licence in the end of this document.

Upplysningar om sakinnehållet i standarden lämnas av SIS, Swedish Standards Institute, telefon 08-555 520 00. Standarder kan beställas hos SIS som även lämnar allmänna upplysningar om svensk och utländsk standard.

Information about the content of the standard is available from the Swedish Standards Institute (SIS), telephone +46 8 555 520 00. Standards may be ordered from SIS, who can also provide general information about Swedish and foreign standards.

Denna standard är framtagen av kommittén för Fönster, dörrar, portar, glasfasader, beslag och byggglas, SIS/TK 179.

Har du synpunkter på innehållet i den här standarden, vill du delta i ett kommande revideringsarbete eller vara med och ta fram andra standarder inom området? Gå in på www.sis.se - där hittar du mer information.

EUROPEAN STANDARD

EN 14351-2

NORME EUROPÉENNE

EUROPÄISCHE NORM

November 2018

ICS 91.060.50

English Version

Windows and doors - Product standard, performance characteristics - Part 2: Internal pedestrian doorsets

Portes et fenêtres - Norme produit, caractéristiques de performances - Partie 2: Blocs-portes intérieurs pour piétons

Fenster und Türen - Produktnorm, Leistungseigenschaften - Teil 2: Innentüren

This European Standard was approved by CEN on 3 April 2018.

CEN members are bound to comply with the CEN/CENELEC Internal Regulations which stipulate the conditions for giving this European Standard the status of a national standard without any alteration. Up-to-date lists and bibliographical references concerning such national standards may be obtained on application to the CEN-CENELEC Management Centre or to any CEN member.

This European Standard exists in three official versions (English, French, German). A version in any other language made by translation under the responsibility of a CEN member into its own language and notified to the CEN-CENELEC Management Centre has the same status as the official versions.

CEN members are the national standards bodies of Austria, Belgium, Bulgaria, Croatia, Cyprus, Czech Republic, Denmark, Estonia, Finland, Former Yugoslav Republic of Macedonia, France, Germany, Greece, Hungary, Iceland, Ireland, Italy, Latvia, Lithuania, Luxembourg, Malta, Netherlands, Norway, Poland, Portugal, Romania, Serbia, Slovakia, Slovenia, Spain, Sweden, Switzerland, Turkey and United Kingdom.



EUROPEAN COMMITTEE FOR STANDARDIZATION
COMITÉ EUROPÉEN DE NORMALISATION
EUROPÄISCHES KOMITEE FÜR NORMUNG

CEN-CENELEC Management Centre: Rue de la Science 23, B-1040 Brussels

SS-EN 14351-2:2018 (E)

Contents	Page
European foreword.....	5
1 Scope	7
2 Normative references	8
3 Terms, definitions and symbols	10
3.1 Terms and definitions	10
3.2 Symbols	11
4 Product characteristics	12
4.1 General	12
4.2 Release of dangerous substances (only for emissions into indoor air impact) (for intended use a, b and c)	12
4.3 Impact resistance (where relevant, only for glazed doors with injury risks) (for intended use a, b and c)	12
4.3.1 Glazed doors	12
4.3.2 Unframed glass doorsets	12
4.4 Height (for intended use a, b and c)	12
4.5 Reaction to fire	12
4.5.1 Reaction to fire of components (for intended use a, b and c)	12
4.5.2 Reaction to fire of the doorset	13
4.6 Direct airborne sound insulation index (only for uses where acoustic performance is required) (for intended use b)	13
4.7 Operating forces (only for automatic devices and only for internal landing communication doors and doors for special uses and specific requirements) (for intended use b)	14
4.8 Thermal transmittance (only for uses where thermal insulation performance is required) (for intended use b)	14
4.9 Air permeability (only for uses where air permeability performance is required for specific use with specific requirements) (for intended use b)	14
4.10 Ability to release (to open) (only for locked doors in escape routes) (for intended use a)	14
4.11 Durability	14
4.11.1 Durability of air permeability against ageing/degradation for specific use with specific requirements (for intended use b):	14
4.11.2 Durability of operating forces (safety in use) against ageing/degradation (only for automatic devices and only for internal landing communication doors and doors for special uses with specific requirements) (for intended use b)	14
4.12 Width	15
4.13 Manual operating forces	15
4.14 Mechanical strength	15
4.15 Bullet resistance	15
4.16 Explosion resistance	15
4.17 Resistance to repeated opening and closing	15
4.18 Behaviour between two different climates	15
4.19 Burglar resistance	15
4.20 Safety requirements for power operated pedestrian hinged doorsets	16
4.21 Ventilation	16

5	Testing, assessment and sampling methods.....	16
5.1	General	16
5.2	Dangerous substances	Error! Bookmark not defined.
5.3	Impact resistance (only for glazed doors with injury risk) (for intended use a, b and c)	Error! Bookmark not defined.
5.4	Height (for intended use a, b and c)	16
5.5	Reaction to fire	17
5.6	Direct airborne sound insulation index (only for uses where acoustic performance is required) (for intended use b).....	17
5.6.1	Reference method	17
5.6.2	Alternative method.....	17
5.7	Operating forces (only for automatic devices and only for internal landing communication doors and doors for special uses) (for intended use b).....	17
5.8	Thermal transmittance (only for uses where thermal insulation performance is required) (for intended use b).....	17
5.8.1	Reference method	17
5.8.2	Tabulation	18
5.8.3	Calculation	18
5.9	Air permeability (only for uses where air permeability performance is required for specific use with specific requirements) (for intended use b).....	18
5.10	Ability to release (to open) (only for locked doors in escape routes) (for intended use a)	18
5.11	Durability	18
5.11.1	Durability of air permeability against ageing/degradation (for intended use b).....	18
5.11.2	Durability of operating forces (only for automatic devices, and only for internal landing communication doors and doors for special uses with specific requirements) (for intended use b).....	18
5.12	Width.....	19
5.13	Manual operating forces	19
5.14	Mechanical strength	19
5.15	Bullet resistance	19
5.16	Explosion resistance.....	19
5.17	Resistance to repeated opening and closing.....	19
5.18	Behaviour between two different climates.....	19
5.19	Burglar resistance	19
5.20	Safety requirements for power operated pedestrian hinged doorsets	19
5.21	Ventilation.....	20
6	Assessment and verification of constancy of performance - AVCP	20
6.1	General	20
6.2	Type testing	20
6.2.1	General	20
6.2.2	Test samples, testing and compliance criteria.....	21
6.2.3	Test reports	21
6.2.4	Shared other party results	21
6.2.5	Cascading determination of the product type results	22
6.3	Factory production control (FPC).....	23
6.3.1	General	23
6.3.2	Requirements.....	24
6.3.3	Product specific requirements	26
6.3.4	Initial inspection of factory and of FPC.....	26
6.3.5	Continuous surveillance of FPC (only for products covered by AVCP system 1).....	27
6.3.6	Procedure for modifications.....	27

SS-EN 14351-2:2018 (E)

6.3.7	One-off products, pre-production products (e.g. prototypes) and products produced in very low quantity	27
7	Marking, Labelling and packaging	28
	Annex A (informative) Product characteristics possibly affected by change of components	30
A.1	General.....	30
	Annex B (normative) Tabulated values and extension of test results following size and design variations	32
B.1	Characteristics of internal pedestrian doorsets	32
B.2	Sound insulation index of internal pedestrian doorsets	34
B.3	Thermal transmittance for Internal pedestrian doorsets U_D in accordance to constructive details	35
	Annex C (informative) Example of performance and requirement profile of an Internal pedestrian doorsets	36
	Annex D (informative) Examples for opening dimensions of internal pedestrian doorsets	37
	Annex E (informative) Handling, installation, maintenance and care	39
	Annex F (normative) Selection, preparation, mounting and fixing of test sample(s) for reaction to fire tests and field of direct application	40
F.1	General.....	40
F.2	EN ISO 11925-2 (Single flame test)	40
F.2.1	Profile	40
F.2.2	Infill or door leaf.....	42
F.2.3	Sealant between infill and profile	42
F.2.4	Organic coating/top layers	43
F.3	Mounting and fixing for EN 13823 (SBI-test)	44
F.3.1	Testing of the individual components	44
F.3.2	Testing of the doorset.....	45
F.4	EN ISO 1182 (Non-combustibility test)	46
F.5	EN ISO 1716 (Determination of the heat of combustion)	46
F.6	Field of direct application	47
	Annex ZA (informative) Relationship of this European Standard with Regulation (EU) N°.305/2011.....	48
ZA.1	Scope and relevant characteristics.....	48
ZA.2	System of assessment and Verification of Constancy of Performance (AVCP)	50
ZA.3	Assignment of AVCP tasks	50
	Bibliography.....	53

European foreword

This document (EN 14351-2:2018) has been prepared by Technical Committee CEN/TC 33 “Doors, windows, shutters, building hardware and curtain walling”, the secretariat of which is held by AFNOR.

This European Standard shall be given the status of a national standard, either by publication of an identical text or by endorsement, at the latest by May 2019, and conflicting national standards shall be withdrawn at the latest by August 2021.

Attention is drawn to the possibility that some of the elements of this document may be the subject of patent rights. CEN shall not be held responsible for identifying any or all such patent rights.

This document has been prepared under a standardisation request given to CEN by the European Commission and the European Free Trade Association, and supports Basic Work Requirements of EU Regulation and Essential Requirements of EU Directive(s).

For relationship with EU Regulation/Directive(s), see informative Annex ZA, which is an integral part of this document.

This European Standard is one of a series of standards for windows and pedestrian doorsets (see Figure 1).

- 1) EN 14351-2 alone, applies to all internal pedestrian doorsets.
- 2) For the internal pedestrian doorsets having fire resisting and/or smoke control characteristics, EN 16034 should apply in conjunction with EN 14351-2.

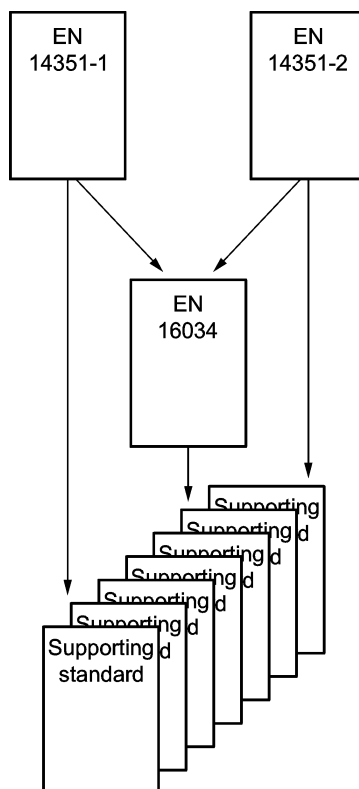


Figure 1 — Relationship between various standards

SS-EN 14351-2:2018 (E)

According to the CEN-CENELEC Internal Regulations, the national standards organisations of the following countries are bound to implement this European Standard: Austria, Belgium, Bulgaria, Croatia, Cyprus, Czech Republic, Denmark, Estonia, Finland, Former Yugoslav Republic of Macedonia, France, Germany, Greece, Hungary, Iceland, Ireland, Italy, Latvia, Lithuania, Luxembourg, Malta, Netherlands, Norway, Poland, Portugal, Romania, Serbia, Slovakia, Slovenia, Spain, Sweden, Switzerland, Turkey and the United Kingdom.

1 Scope

This European Standard identifies material independent performance characteristics, except resistance to fire and smoke control characteristics, which are applicable to internal pedestrian doorsets.

Fire resisting and/or smoke control characteristics for pedestrian doorsets and openable windows are covered by EN 16034.

This European Standard applies to doorsets intended to be used internally for construction works as:

- intended use a) in escape routes;
- intended use b) for specific uses with specific requirements;
- intended use c) for communication only.

NOTE 1 These above intended uses can be combined, for example escape routes with specific requirements.

For internal pedestrian doorsets with resistance to fire and /or smoke control characteristics, this standard should only apply in conjunction with EN 16034.

Products covered by this European Standard are power operated hinged or manually operated internal pedestrian doorsets and screens with flush or panelled leaves, single or double leaf, which could be completed with:

- related building hardware;
- door closing devices;
- integral fanlights;
- adjacent parts that are contained within a single frame for inclusion in a single aperture.

NOTE 2 Manually operated doors with door closing devices are not considered to be power operated doors.

Products covered by this European Standard are not assessed for structural applications.

This European Standard does not apply to:

- industrial, commercial and garage doors and gates according to EN 13241;
- external pedestrian doorsets according to EN 14351-1;
- door leaves placed on the market as a single unit;
- door frames placed on the market as a single unit;
- power operated pedestrian doorsets, other than swing type, according to EN 16361.

Doorsets can be placed on the market with their component (leaf and frame) separate when each of these components are clearly identified.

This European Standard does not deal with any specific requirements on noise emitted from internal power operated hinged doorsets as their noise emission is not considered to be a relevant hazard.