

SVENSK STANDARD

SS-EN 16954:2018

Fastställt/Approved: 2018-05-30
Publicerad/Published: 2018-05-30
Utgåva/Edition: 1
Språk/Language: engelska/English
ICS: 91.100.15

Kompositsten – Formatsågade plattor för golv och trappor (för inne- och utomhusbruk)

Agglomerated stone – Slabs and cut-to-size products for flooring and stairs (internal and external)

This preview is downloaded from www.sis.se. Buy the entire standard via <https://www.sis.se/std-80004351>

Standarder får världen att fungera

SIS (Swedish Standards Institute) är en fristående ideell förening med medlemmar från både privat och offentlig sektor. Vi är en del av det europeiska och globala nätverk som utarbetar internationella standarder. Standarder är dokumenterad kunskap utvecklad av framstående aktörer inom industri, näringsliv och samhälle och befrämjar handel över gränser, bidrar till att processer och produkter blir säkrare samt effektiviserar din verksamhet.

Delta och påverka

Som medlem i SIS har du möjlighet att påverka framtida standarder inom ditt område på nationell, europeisk och global nivå. Du får samtidigt tillgång till tidig information om utvecklingen inom din bransch.

Ta del av det färdiga arbetet

Vi erbjuder våra kunder allt som rör standarder och deras tillämpning. Hos oss kan du köpa alla publikationer du behöver – allt från enskilda standarder, tekniska rapporter och standardpaket till handböcker och onlinetjänster. Genom vår webbtjänst e-nav får du tillgång till ett lättnavigerat bibliotek där alla standarder som är aktuella för ditt företag finns tillgängliga. Standarder och handböcker är källor till kunskap. Vi säljer dem.

Utveckla din kompetens och lyckas bättre i ditt arbete

Hos SIS kan du gå öppna eller företagsinterna utbildningar kring innehåll och tillämpning av standarder. Genom vår närhet till den internationella utvecklingen och ISO får du rätt kunskap i rätt tid, direkt från källan. Med vår kunskap om standarders möjligheter hjälper vi våra kunder att skapa verklig nytta och lönsamhet i sina verksamheter.

Vill du veta mer om SIS eller hur standarder kan effektivisera din verksamhet är du välkommen in på www.sis.se eller ta kontakt med oss på tel 08-555 523 00.



Standards make the world go round

SIS (Swedish Standards Institute) is an independent non-profit organisation with members from both the private and public sectors. We are part of the European and global network that draws up international standards. Standards consist of documented knowledge developed by prominent actors within the industry, business world and society. They promote cross-border trade, they help to make processes and products safer and they streamline your organisation.

Take part and have influence

As a member of SIS you will have the possibility to participate in standardization activities on national, European and global level. The membership in SIS will give you the opportunity to influence future standards and gain access to early stage information about developments within your field.

Get to know the finished work

We offer our customers everything in connection with standards and their application. You can purchase all the publications you need from us - everything from individual standards, technical reports and standard packages through to manuals and online services. Our web service e-nav gives you access to an easy-to-navigate library where all standards that are relevant to your company are available. Standards and manuals are sources of knowledge. We sell them.

Increase understanding and improve perception

With SIS you can undergo either shared or in-house training in the content and application of standards. Thanks to our proximity to international development and ISO you receive the right knowledge at the right time, direct from the source. With our knowledge about the potential of standards, we assist our customers in creating tangible benefit and profitability in their organisations.

If you want to know more about SIS, or how standards can streamline your organisation, please visit www.sis.se or contact us on phone +46 (0)8-555 523 00



Europastandarden EN 16954:2018 gäller som svensk standard. Detta dokument innehåller den officiella engelska versionen av EN 16954:2018.

The European Standard EN 16954:2018 has the status of a Swedish Standard. This document contains the official version of EN 16954:2018.

© Copyright/Upphovsrätten till denna produkt tillhör SIS, Swedish Standards Institute, Stockholm, Sverige. Användningen av denna produkt regleras av slutanvändarlicensen som återfinns i denna produkt, se standardens sista sidor.

© Copyright SIS, Swedish Standards Institute, Stockholm, Sweden. All rights reserved. The use of this product is governed by the end-user licence for this product. You will find the licence in the end of this document.

Upplysningar om sakinnehållet i standarden lämnas av SIS, Swedish Standards Institute, telefon 08-555 520 00. Standarder kan beställas hos SIS som även lämnar allmänna upplysningar om svensk och utländsk standard.

Information about the content of the standard is available from the Swedish Standards Institute (SIS), telephone +46 8 555 520 00. Standards may be ordered from SIS, who can also provide general information about Swedish and foreign standards.

Denna standard är framtagen av kommittén för Natursten, SIS/TK 508.

Har du synpunkter på innehållet i den här standarden, vill du delta i ett kommande revideringsarbete eller vara med och ta fram andra standarder inom området? Gå in på www.sis.se - där hittar du mer information.

EUROPEAN STANDARD

EN 16954

NORME EUROPÉENNE

EUROPÄISCHE NORM

May 2018

ICS 91.100.15

English Version

Agglomerated stone - Slabs and cut-to-size products for flooring and stairs (internal and external)

Pierre agglomérée - Plaques et produits coupés sur mesure pour revêtements de sols et escaliers (intérieurs et extérieurs)

Künstlich hergestellter Stein - Platten und zugeschnittene Produkte für Boden- und Stufenbeläge (innen und außen)

This European Standard was approved by CEN on 27 December 2017.

CEN members are bound to comply with the CEN/CENELEC Internal Regulations which stipulate the conditions for giving this European Standard the status of a national standard without any alteration. Up-to-date lists and bibliographical references concerning such national standards may be obtained on application to the CEN-CENELEC Management Centre or to any CEN member.

This European Standard exists in three official versions (English, French, German). A version in any other language made by translation under the responsibility of a CEN member into its own language and notified to the CEN-CENELEC Management Centre has the same status as the official versions.

CEN members are the national standards bodies of Austria, Belgium, Bulgaria, Croatia, Cyprus, Czech Republic, Denmark, Estonia, Finland, Former Yugoslav Republic of Macedonia, France, Germany, Greece, Hungary, Iceland, Ireland, Italy, Latvia, Lithuania, Luxembourg, Malta, Netherlands, Norway, Poland, Portugal, Romania, Serbia, Slovakia, Slovenia, Spain, Sweden, Switzerland, Turkey and United Kingdom.



EUROPEAN COMMITTEE FOR STANDARDIZATION
COMITÉ EUROPÉEN DE NORMALISATION
EUROPÄISCHES KOMITEE FÜR NORMUNG

CEN-CENELEC Management Centre: Rue de la Science 23, B-1040 Brussels

SS-EN 16954:2018 (E)

Contents	Page
European foreword.....	4
1 Scope	6
2 Normative references	6
3 Terms and definitions	6
4 Characteristics	8
4.1 Geometric characteristics	8
4.1.1 Dimensions.....	8
4.1.2 Tolerances for dimensions for slabs and cut-to-size products.....	8
4.1.3 Surface finish.....	9
4.2 Physical and mechanical characteristics	10
4.2.1 General.....	10
4.2.2 Visual appearance.....	10
4.2.3 Reaction to fire.....	10
4.2.4 Apparent density and water absorption.....	11
4.2.5 Flexural tensile strength.....	11
4.2.6 Thermal conductivity.....	11
4.2.7 Thermal shock resistance.....	11
4.2.8 Linear thermal expansion coefficient.....	11
4.2.9 Abrasion resistance.....	11
4.2.10 Chemical resistance.....	11
4.2.11 Slip resistance.....	11
4.2.12 Electrical resistivity.....	12
4.2.13 Tactility.....	12
4.2.14 Durability.....	12
4.2.15 Release of dangerous substances.....	12
5 Test methods	12
6 Assessment and verification of constancy of performance – AVCP	12
6.1 General.....	12
6.2 Type testing	13
6.2.1 General.....	13
6.2.2 Test samples, testing and compliance criteria.....	14
6.2.3 Test reports.....	14
6.2.4 Shared other party results.....	15
6.3 Factory production control (FPC)	15
6.3.1 General.....	15
6.3.2 Requirements.....	16
6.3.3 Product specific requirements.....	18
6.3.4 Initial inspection of factory and of FPC.....	19
6.3.5 Continuous surveillance of FPC.....	19
6.3.6 Procedure for modifications.....	19
7 Marking, labelling and packaging	20

Annex A (normative) Reference sample, visual inspection and acceptance criteria.....	21
Annex ZA (informative) Relationship of this European Standard with Regulation (EU) No.305/2011	23
Bibliography	28

SS-EN 16954:2018 (E)

European foreword

This document (EN 16954:2018) has been prepared by Technical Committee CEN/TC 246 “Natural stones”, the secretariat of which is held by UNI.

This European Standard shall be given the status of a national standard, either by publication of an identical text or by endorsement, at the latest by November 2018 and conflicting national standards shall be withdrawn at the latest by February 2020.

Attention is drawn to the possibility that some of the elements of this document may be the subject of patent rights. CEN shall not be held responsible for identifying any or all such patent rights.

This document has been prepared under a mandate given to CEN by the European Commission and the European Free Trade Association.

For relationship with EU Regulation(s), see informative Annex ZA, which is an integral part of this document.

This European Standard is one of a series of standards for specifications of agglomerated stone products which includes the following:

- EN 15285, *Agglomerated stone — Modular tiles for flooring and stairs (internal and external)*
- EN 16954, *Agglomerated stone — Slabs and cut-to-size products for flooring and stairs (internal and external)* [the present document]
- EN 15286, *Agglomerated stone — Slabs and tiles for wall finishes (internal and external)*
- EN 15388, *Agglomerated stone — Slabs and cut-to-size products for vanity and kitchen tops*

NOTE An overview on standards for agglomerated stone products is given below.

Standards for agglomerated stone products			
<i>Harmonized product standards</i>	EN 15285 <i>Modular tiles for flooring and stairs (int. and ext.) (under M/119)</i>	EN 16954 <i>Slabs and cut-to-size products for flooring and stairs (int. and ext.) (under Mandate M/119)</i>	EN 15286 <i>Cladding slabs and tiles for wall finishes (int. and ext.) (under Mandate M/121)</i>
<i>Non-harmonized product standards</i>	EN 15388 <i>Slabs and cut-to-size products for vanity and kitchen tops</i>		
<i>Main supporting standards</i>	EN 14617 (all parts), <i>Test methods</i>	EN 14618, <i>Terminology and classification</i>	

According to the CEN-CENELEC Internal Regulations, the national standards organizations of the following countries are bound to implement this European Standard: Austria, Belgium, Bulgaria, Croatia, Cyprus, Czech Republic, Denmark, Estonia, Finland, Former Yugoslav Republic of Macedonia, France, Germany, Greece, Hungary, Iceland, Ireland, Italy, Latvia, Lithuania, Luxembourg, Malta, Netherlands, Norway, Poland, Portugal, Romania, Serbia, Slovakia, Slovenia, Spain, Sweden, Switzerland, Turkey and the United Kingdom.

SS-EN 16954:2018 (E)

1 Scope

This European Standard specifies characteristics and appropriate test methods for slabs and cut to size products (cut to size slabs, special pieces, treads and risers) of agglomerated stones, which are made for use as flooring and stairs in pedestrian areas for internal and external uses including those in enclosed public transport premises. It also provides for the assessment and verification of constancy of performance (AVCP) and marking of the products to the requirements of this European Standard.

This European Standard covers tactility but only for products the intended use of which requires this performance.

This European Standard does not cover visibility requirements. Rough slabs are excluded from the scope of this European Standard.

Products covered by the standards EN 15285, EN 13198, EN 13748-1 and EN 13748-2 are also excluded from the scope of the present European Standard.

2 Normative references

The following documents are referred to in the text in such a way that some or all of their content constitutes requirements of this document. For dated references, only the edition cited applies. For undated references, the latest edition of the referenced document (including any amendments) applies.

EN 13373, *Natural stone test methods - Determination of geometric characteristics on units*

EN 13501-1, *Fire classification of construction products and building elements - Part 1: Classification using data from reaction to fire tests*

EN 14617 (all parts), *Agglomerated stone - Test methods*

EN 14618, *Agglomerated stone - Terminology and classification*

CEN/TS 15209, *Tactile paving surface indicators produced from concrete, clay and stone*

CEN/TS 16165:2016, *Determination of slip resistance of pedestrian surfaces - Methods of evaluation*

EN ISO 10456, *Building materials and products - Hygrothermal properties - Tabulated design values and procedures for determining declared and design thermal values (ISO 10456)*

3 Terms and definitions

For the purposes of this document, the terms and definitions given in EN 14618 and the following apply.

ISO and IEC maintain terminological databases for use in standardization at the following addresses:

- IEC Electropedia: available at <http://www.electropedia.org/>
- ISO Online browsing platform: available at <http://www.iso.org/obp>

3.1 rough slab
semi-finished agglomerated stone product with edges obtained either by sawing from a block or by moulding, the size of which is given by nominal dimensions (length - width -, thickness, in this order), expressed in millimetres and the surface of which may or may not be the finished surface

Note 1 to entry: Examples are given in Figure 1.

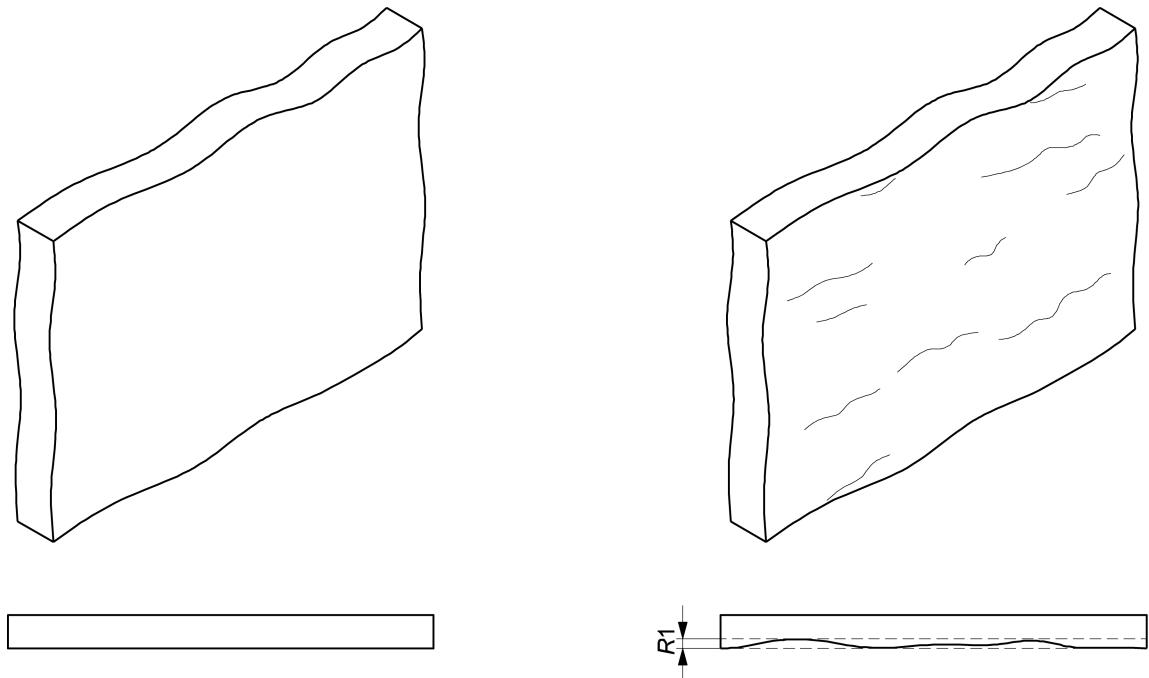


Figure 1 — Examples of rough slabs

3.2 slab

finished agglomerated product obtained from rough slabs, the dimensions of which are given by length - width - thickness (in this order), expressed in millimetres according to defined tolerances and the surface of which is a finished surface ready to use

3.3 cut-to-size product

finished agglomerated product obtained from a rough slab or a slab, the dimensions of which need to be referred to a template or a drawing

Note 1 to entry: Examples are given in Figure 2.