

SVENSK STANDARD

SS-ISO 702-2:2007/Cor 1:2009

Fastställt/Approved: 2009-11-12

Publicerad/Published: 2009-12-14

Utgåva/Edition: 1

Språk/Language: engelska/English

ICS: 25.060.20

**Verktygsmaskiner – Spindelnosar, planskivor och chuckar –
Storlekar för utbyttbarhet –
Del 2: Camlock typ – Tekniskt Corrigendum 1
(ISO 702-2:2007/Cor 1:2009, IDT)**

**Machine tools – Connecting dimensions of spindle noses and
work holding chucks –
Part 2: Camlock type – Technical Corrigendum 1
(ISO 702-2:2007/Cor 1:2009, IDT)**

This preview is downloaded from www.sis.se. Buy the entire standard via <https://www.sis.se/std-71730>

! © Copyright/Upphovsrätten till denna produkt tillhör SIS, Swedish Standards Institute, Stockholm, Sverige. Användningen av denna produkt regleras av slutanvändarlicensen som återfinns i denna produkt, se standardens sista sidor.

! © Copyright SIS, Swedish Standards Institute, Stockholm, Sweden. All rights reserved. The use of this product is governed by the end-user licence for this product. You will find the licence in the end of this document.

Upplysningar om sakinnehållet i standarden lämnas av SIS, Swedish Standards Institute, telefon 08-555 520 00.
Standarder kan beställas hos SIS Förlag AB som även lämnar allmänna upplysningar om svensk och utländsk standard.

Information about the content of the standard is available from the Swedish Standards Institute (SIS), tel +46 8 555 520 00.
Standards may be ordered from SIS Förlag AB, who can also provide general information about Swedish and foreign standards.

SIS Förlag AB, SE 118 80 Stockholm, Sweden. Tel: +46 8 555 523 10. Fax: +46 8 555 523 11.
E-mail: sis.sales@sis.se Internet: www.sis.se

Den internationella standarden ISO 702-2:2007/Cor 1:2009 gäller som svensk standard. Detta dokument innehåller den officiella engelska versionen av ISO 702-2:2007/Cor 1:2009.

The International Standard ISO 702-2:2007/Cor 1:2009 has the status of a Swedish Standard. This document contains the official English version of ISO 702-2:2007/Cor 1:2009.

Machine tools — Connecting dimensions of spindle noses and work holding chucks —

Part 2: Camlock type

TECHNICAL CORRIGENDUM 1

*Machines-outils — Dimensions d'assemblage des nez de broches et des mandrins porte-pièces —
Partie 2: Type Camlock*

RECTIFICATIF TECHNIQUE 1

Technical Corrigendum 1 to ISO 702-2:2007 was prepared by Technical Committee ISO/TC 39, *Machine tools*, Subcommittee SC 8, *Work holding spindles and chucks*.

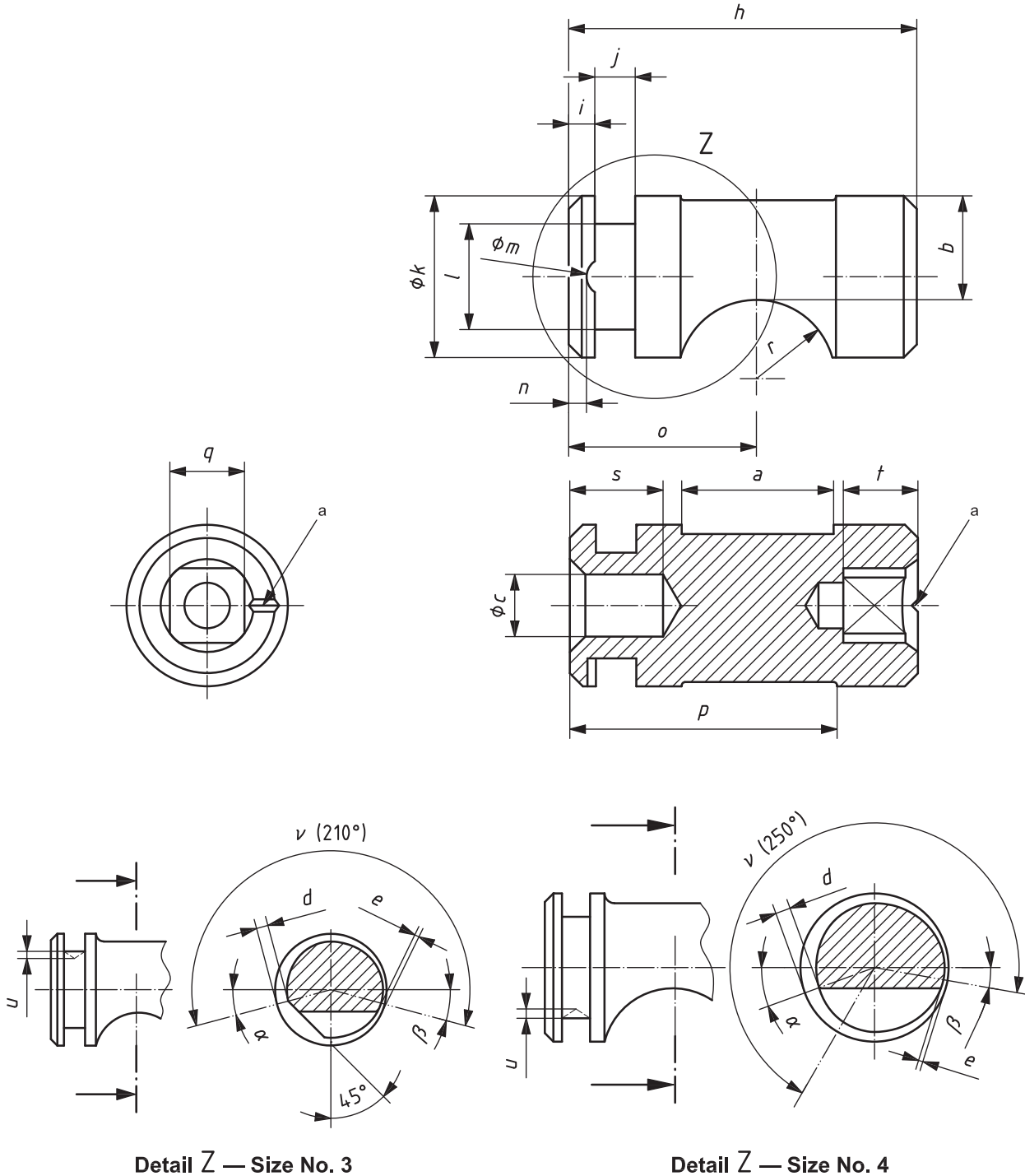
Page 3, Tableau 1

In the cell corresponding to row d_1 and column 15, replace the tolerance “ $\begin{smallmatrix} +0,01 \\ 0 \end{smallmatrix}$ ” with “ $\begin{smallmatrix} +0,016 \\ 0 \end{smallmatrix}$ ”.

Page 4, Figure 2

Replace Figure 2 with the following:

3.2 Cams



^a Reference line.

Figure 2 — Cams

Page 10, Table 8

In the cell corresponding to the last row, first column, replace “ $l \times 0,2$ ” with “ $l \pm 0,2$ ”.