

SVENSK STANDARD

SS-ISO 26402:2008

Fastställt/Approved: 2008-05-19

Publicerad/Published: 2008-06-26

Utgåva/Edition: 1

Språk/Language: engelska/English

ICS: 65.060.10

Lantbruksfordon – Styrsystem för lantbrukssläp – Gränssnitt för ledad styranordning på påhängsvagnar (ISO 26402:2008, IDT)

Agricultural vehicles – Steering systems for agricultural trailers – Interface for articulated steering device of semi-mounted trailers (ISO 26402:2008, IDT)

This preview is downloaded from www.sis.se. Buy the entire standard via <https://www.sis.se/std-66402>



SWEDISH
STANDARDS
INSTITUTE

Hitta rätt produkt och ett leveranssätt som passar dig

Standarder

Genom att följa gällande standard både effektiviserar och säkrar du ditt arbete. Många standarder ingår dessutom ofta i paket.

Tjänster

Abonnemang är tjänsten där vi uppdaterar dig med aktuella standarder när förändringar sker på dem du valt att abonnera på. På så sätt är du säker på att du alltid arbetar efter rätt utgåva.

e-nav är vår online-tjänst som ger dig och dina kollegor tillgång till standarder ni valt att abonnera på dygnet runt. Med e-nav kan samma standard användas av flera personer samtidigt.

Leveranssätt

Du väljer hur du vill ha dina standarder levererade. Vi kan erbjuda dig dem på papper och som pdf.

Andra produkter

Vi har böcker som underlättar arbetet att följa en standard. Med våra böcker får du ökad förståelse för hur standarder ska följas och vilka fördelar den ger dig i ditt arbete. Vi tar fram många egna publikationer och fungerar även som återförsäljare. Det gör att du hos oss kan hitta över 500 unika titlar. Vi har även tekniska rapporter, specifikationer och "workshop agreement".

Matriser är en översikt på standarder och handböcker som bör läsas tillsammans. De finns på sis.se och ger dig en bra bild över hur olika produkter hör ihop.

Standardiseringsprojekt

Du kan påverka innehållet i framtida standarder genom att delta i någon av SIS ca 400 Tekniska Kommittéer.

Find the right product and the type of delivery that suits you

Standards

By complying with current standards, you can make your work more efficient and ensure reliability. Also, several of the standards are often supplied in packages.

Services

Subscription is the service that keeps you up to date with current standards when changes occur in the ones you have chosen to subscribe to. This ensures that you are always working with the right edition.

e-nav is our online service that gives you and your colleagues access to the standards you subscribe to 24 hours a day. With e-nav, the same standards can be used by several people at once.

Type of delivery

You choose how you want your standards delivered. We can supply them both on paper and as PDF files.

Other products

We have books that facilitate standards compliance. They make it easier to understand how compliance works and how this benefits you in your operation. We produce many publications of our own, and also act as retailers. This means that we have more than 500 unique titles for you to choose from. We also have technical reports, specifications and workshop agreements.

Matrices, listed at sis.se, provide an overview of which publications belong together.

Standardisation project

You can influence the content of future standards by taking part in one or other of SIS's 400 or so Technical Committees.

Den internationella standarden ISO 26402:2008 gäller som svensk standard. Detta dokument innehåller den officiella engelska versionen av ISO 26402:2008.

The International Standard ISO 26402:2008 has the status of a Swedish Standard. This document contains the official English version of ISO 26402:2008.

© Copyright/Upphovsrätten till denna produkt tillhör SIS, Swedish Standards Institute, Stockholm, Sverige. Användningen av denna produkt regleras av slutanvändarlicensen som återfinns i denna produkt, se standardens sista sidor.

© Copyright SIS, Swedish Standards Institute, Stockholm, Sweden. All rights reserved. The use of this product is governed by the end-user licence for this product. You will find the licence in the end of this document.

Upplysningar om sakinnehållet i standarden lämnas av SIS, Swedish Standards Institute, telefon 08-555 520 00.

Standarder kan beställas hos SIS Förlag AB som även lämnar allmänna upplysningar om svensk och utländsk standard.

Information about the content of the standard is available from the Swedish Standards Institute (SIS), tel +46 8 555 520 00.

Standards may be ordered from SIS Förlag AB, who can also provide general information about Swedish and foreign standards.

SIS Förlag AB, SE 118 80 Stockholm, Sweden. Tel: +46 8 555 523 10. Fax: +46 8 555 523 11.

E-mail: sis.sales@sis.se Internet: www.sis.se

SS-ISO 26402:2008 (E)

Foreword

ISO (the International Organization for Standardization) is a worldwide federation of national standards bodies (ISO member bodies). The work of preparing International Standards is normally carried out through ISO technical committees. Each member body interested in a subject for which a technical committee has been established has the right to be represented on that committee. International organizations, governmental and non-governmental, in liaison with ISO, also take part in the work. ISO collaborates closely with the International Electrotechnical Commission (IEC) on all matters of electrotechnical standardization.

International Standards are drafted in accordance with the rules given in the ISO/IEC Directives, Part 2.

The main task of technical committees is to prepare International Standards. Draft International Standards adopted by the technical committees are circulated to the member bodies for voting. Publication as an International Standard requires approval by at least 75 % of the member bodies casting a vote.

Attention is drawn to the possibility that some of the elements of this document may be the subject of patent rights. ISO shall not be held responsible for identifying any or all such patent rights.

ISO 26402 was prepared by Technical Committee ISO/TC 23, *Tractors and machinery for agriculture and forestry*, Subcommittee SC 4, *Tractors*.

Agricultural vehicles — Steering systems for agricultural trailers — Interface for articulated steering device of semi-mounted trailers

1 Scope

This International Standard specifies the dimensions and clearance zones at the interface between tractor and trailer for articulated steering devices of semi-mounted trailers used in agriculture. It also specifies the maximum permissible forces at the connection of such articulated steering devices.

It is applicable exclusively in conjunction with ISO 24347, specifying a ball-type (mechanical) coupling device of 80 mm nominal diameter.

It is not applicable to the verification of the mechanical strength of the interface of the articulated steering device's interface, nor to the mechanical coupling device; this International Standard does not include technical requirements for the articulated steering device itself.

2 Normative references

The following referenced documents are indispensable for the application of this document. For dated references, only the edition cited applies. For undated references, the latest edition of the referenced document (including any amendments) applies.

ISO 730:—¹⁾, *Agricultural wheeled tractors — Rear-mounted three-point linkage — Categories 1N, 1, 2N, 2, 3N, 3, 4N and 4*

ISO 1103:2007, *Road vehicles — Coupling balls for caravans and light trailers — Dimensions*

ISO 17900:2002, *Agricultural trailers — Balanced and semi-mounted trailers — Determination of payload, vertical static load and axle load*

ISO 24347:2005, *Agricultural vehicles — Mechanical connections between towed and towing vehicles — Dimensions of ball-type coupling device (80 mm)*

3 Terms and definitions

For the purposes of this document, the terms and definitions given in ISO 17900 and the following apply.

3.1

articulated steering

equipment in which the steering forces are produced by a change in direction of the towing vehicle and the movement of the steered trailer wheels is firmly linked to the relative angle between the longitudinal axis of the towing vehicle and that of the trailer

1) To be published. (Replaces ISO 130-1:1994 and ISO 730-2:1979, and incorporates ISO 130-1:1994/Cor.1:1995)

SS-ISO 26402:2008 (E)

4 General requirements

4.1 The interface of the articulated steering device may consist of one or two connecting points.

Figure 1 shows the version consisting of one connecting point as an example.

If only one connecting point is provided, it should be located on the left side in the direction of travel.

4.2 The dimensions of the connecting point(s) of the tractor (50 mm ball) shall be in accordance with ISO 1103; those of the connecting point(s) of the trailer shall be in accordance with Figure 2. An unintentional disconnection of the connecting point(s) of the tractor (50 mm ball) and the trailer shall be prevented by mechanical means at the connecting point(s) of the tractor (50 mm ball).

4.3 The maximum force in the direction of the steering rod according to Figure 1 shall not exceed 20 kN.

If necessary, appropriate means shall be used to limit this force to the stated value.

EXAMPLE Hydraulic power supply.

4.4 The centre line through an 80 mm ball-type coupling device according to ISO 24347 and the connecting point(s) of the tractor (50 mm ball) shall be parallel to the rear axle of the tractor. A tolerance of ± 5 mm both horizontally and vertically is permitted. The location in relation to the 80 mm ball-type coupling device shall be in accordance with Figure 3.

The geometry of the connecting point(s) of the tractor (50 mm ball) shall be according to ISO 1103.

4.5 Both the 80 mm ball-type coupling device and the connecting point(s) (50 mm ball) shall meet the requirements for angles of pitch, yaw and roll given in ISO 24347:2005, 3.1.4. If the angle of yaw of 60° prescribed for mechanical coupling devices cannot be obtained by the connecting point(s) (50 mm ball) without contact between tractor and drawbar parts, the maximum angle of yaw shall be limited by appropriate means (see Figure 1, item 4): appropriate parts of the trailer may act as such a limiter. The operator's manual for the trailer shall contain the necessary information.

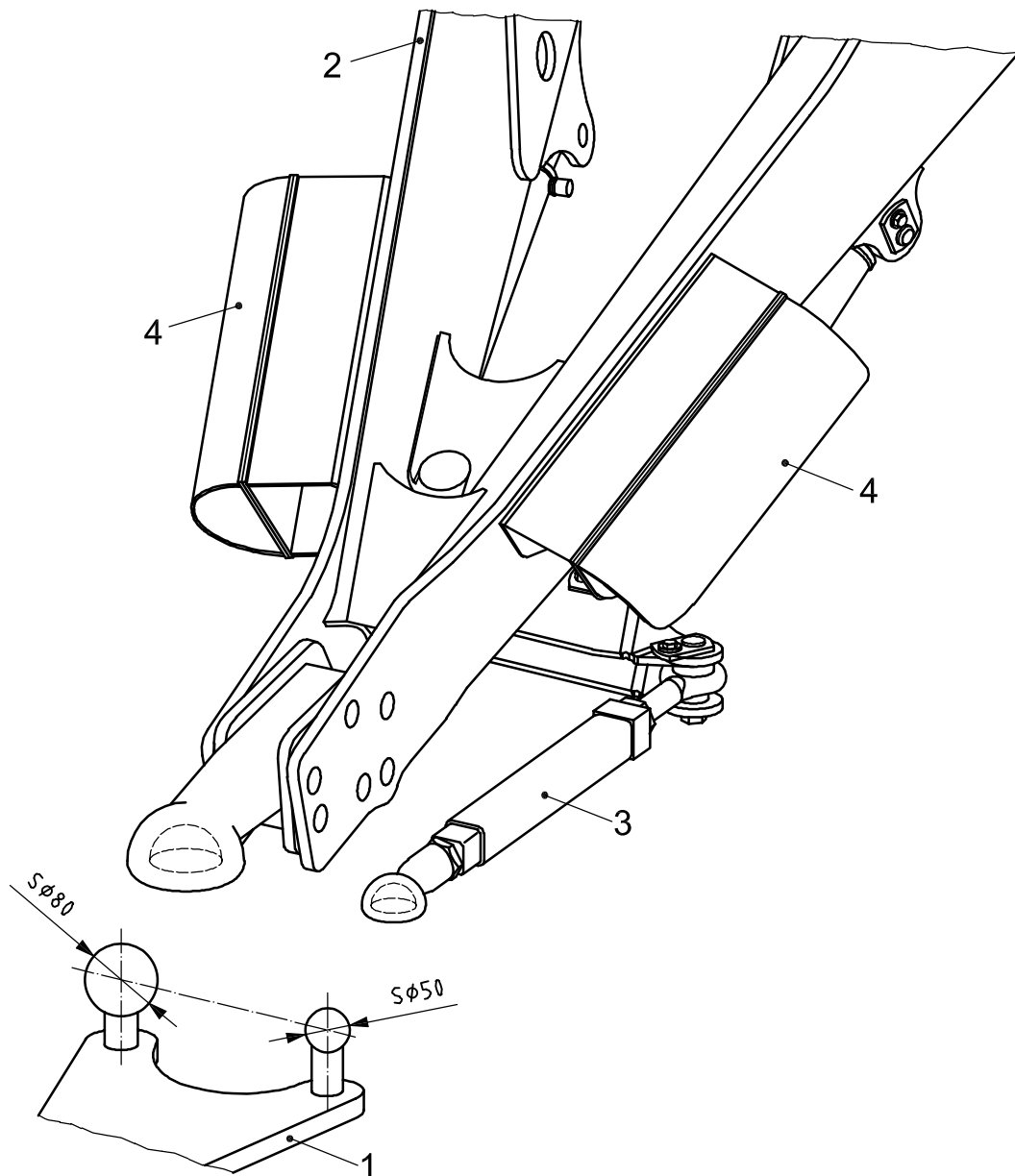
4.6 The connecting point(s) of the tractor (50 mm ball) shall be detachable if they cause interference with the movement range of the lower links according to ISO 730 or the lateral movement limiting device(s). The operator's manual and/or mounting guidelines shall contain the necessary information.

5 Clearance zones

5.1 The clearance zone for the connecting point(s) shall be in accordance with Figure 4.

5.2 The combined clearance zone for the 80 mm ball-type coupling device and the connecting point(s) of the tractor (50 mm ball) shall be in accordance with Figure 5.

Dimensions in millimetres



Key

- 1 connecting point of the tractor (50 mm ball)
- 2 trailer
- 3 steering rod of the articulated steering device
- 4 angle of yaw limiter

Where there is only one connecting point, it shall be on the left side in the direction of travel.

Figure 1 — Example of an articulated steering device with one connecting point

Dimensions in millimetres

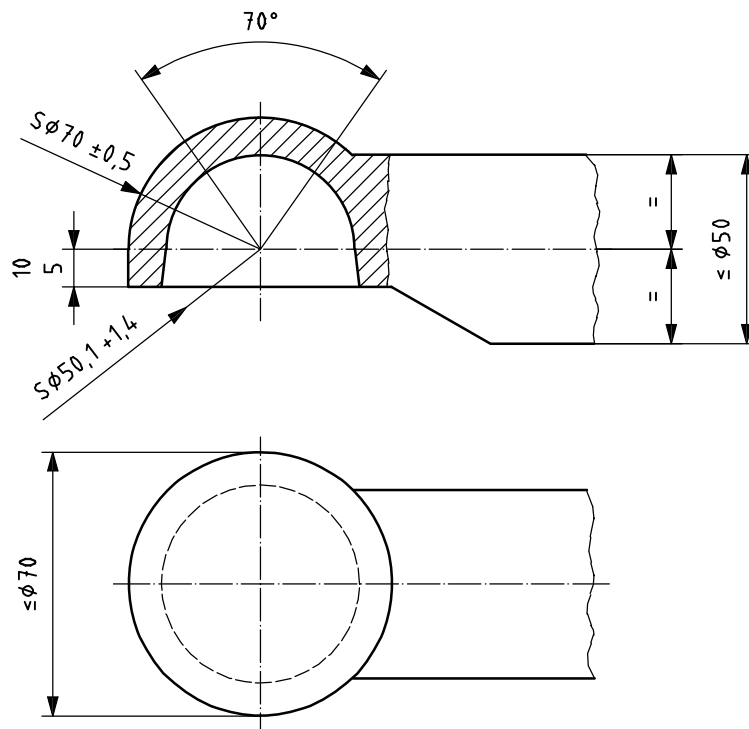


Figure 2 — Dimensions of connecting point(s) of trailer

Dimensions in millimetres

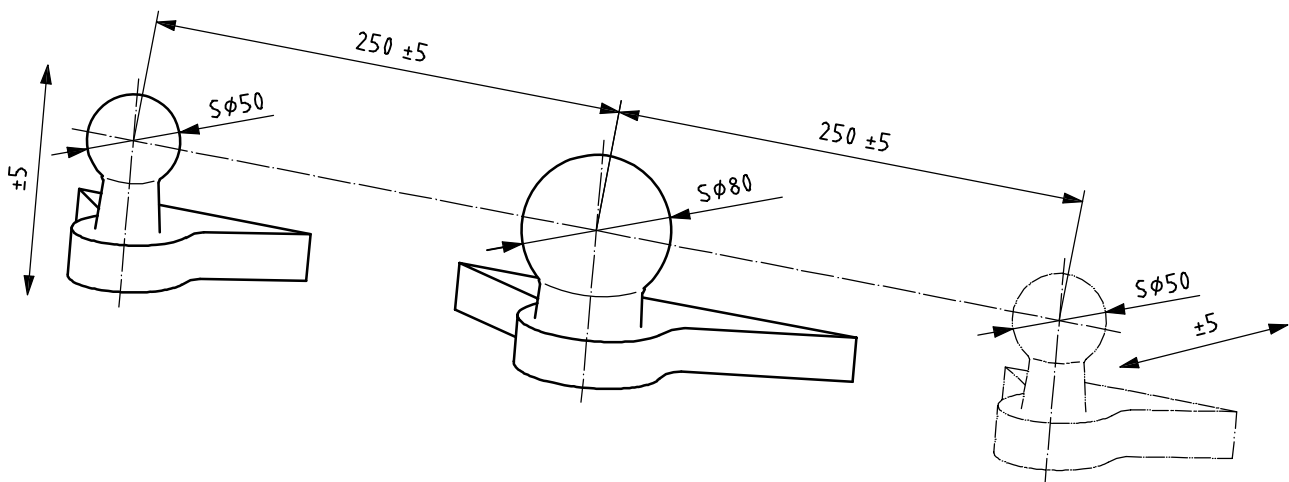


Figure 3 — Location of connecting point(s) of tractor (50 mm ball) in relation to 80 mm ball-type coupling device