

Hitta rätt produkt och ett leveranssätt som passar dig

Standarder

Genom att följa gällande standard både effektiviserar och säkrar du ditt arbete. Många standarder ingår dessutom ofta i paket.

Tjänster

Abonnemang är tjänsten där vi uppdaterar dig med aktuella standarder när förändringar sker på dem du valt att abonnera på. På så sätt är du säker på att du alltid arbetar efter rätt utgåva.

e-nav är vår online-tjänst som ger dig och dina kollegor tillgång till standarder ni valt att abonnera på dygnet runt. Med e-nav kan samma standard användas av flera personer samtidigt.

Leveranssätt

Du väljer hur du vill ha dina standarder levererade. Vi kan erbjuda dig dem på papper och som pdf.

Andra produkter

Vi har böcker som underlättar arbetet att följa en standard. Med våra böcker får du ökad förståelse för hur standarder ska följas och vilka fördelar den ger dig i ditt arbete. Vi tar fram många egna publikationer och fungerar även som återförsäljare. Det gör att du hos oss kan hitta över 500 unika titlar. Vi har även tekniska rapporter, specifikationer och "workshop agreement".

Matriser är en översikt på standarder och handböcker som bör läsas tillsammans. De finns på sis.se och ger dig en bra bild över hur olika produkter hör ihop.

Standardiseringsprojekt

Du kan påverka innehållet i framtida standarder genom att delta i någon av SIS ca 400 Tekniska Kommittéer.

Find the right product and the type of delivery that suits you

Standards

By complying with current standards, you can make your work more efficient and ensure reliability. Also, several of the standards are often supplied in packages.

Services

Subscription is the service that keeps you up to date with current standards when changes occur in the ones you have chosen to subscribe to. This ensures that you are always working with the right edition.

e-nav is our online service that gives you and your colleagues access to the standards you subscribe to 24 hours a day. With e-nav, the same standards can be used by several people at once.

Type of delivery

You choose how you want your standards delivered. We can supply them both on paper and as PDF files.

Other products

We have books that facilitate standards compliance. They make it easier to understand how compliance works and how this benefits you in your operation. We produce many publications of our own, and also act as retailers. This means that we have more than 500 unique titles for you to choose from. We also have technical reports, specifications and workshop agreements.

Matrices, listed at sis.se, provide an overview of which publications belong together.

Standardisation project

You can influence the content of future standards by taking part in one or other of SIS's 400 or so Technical Committees.

Den internationella standarden ISO 3442-1:2007 gäller som svensk standard. Detta dokument innehåller den officiella engelska versionen av ISO 3442-1:2007.

Denna standard ersätter SS-ISO 3442, utgåva 1.

The International Standard ISO 3442-1:2007 has the status of a Swedish Standard. This document contains the official English version of ISO 3442-1:2007.

This standard supersedes the Swedish Standard SS-ISO 3442, edition 1.

© Copyright/Upphovsrätten till denna produkt tillhör SIS, Swedish Standards Institute, Stockholm, Sverige. Användningen av denna produkt regleras av slutanvändarlicensen som återfinns i denna produkt, se standardens sista sidor.

© Copyright SIS, Swedish Standards Institute, Stockholm, Sweden. All rights reserved. The use of this product is governed by the end-user licence for this product. You will find the licence in the end of this document.

Upplysningar om sakinnehållet i standarden lämnas av SIS, Swedish Standards Institute, telefon 08-555 520 00.

Standarder kan beställas hos SIS Förlag AB som även lämnar allmänna upplysningar om svensk och utländsk standard.

Information about the content of the standard is available from the Swedish Standards Institute (SIS), tel +46 8 555 520 00.

Standards may be ordered from SIS Förlag AB, who can also provide general information about Swedish and foreign standards.

SIS Förlag AB, SE 118 80 Stockholm, Sweden. Tel: +46 8 555 523 10. Fax: +46 8 555 523 11.

E-mail: sis.sales@sis.se Internet: www.sis.se

Contents		Page
Foreword		v
1	Scope	1
2	Normative references	1
3	Preliminary remarks	1
3.1	Measurement units	1
3.2	Geometric tests	1
4	Accuracy classes	1
5	Sizes for interchangeability	2
6	Geometric tests	3
6.1	Spindle or face plate accuracy	3
6.2	Geometric tests and relevant tolerances for manually operated chucks	6
Bibliography		11

Foreword

ISO (the International Organization for Standardization) is a worldwide federation of national standards bodies (ISO member bodies). The work of preparing International Standards is normally carried out through ISO technical committees. Each member body interested in a subject for which a technical committee has been established has the right to be represented on that committee. International organizations, governmental and non-governmental, in liaison with ISO, also take part in the work. ISO collaborates closely with the International Electrotechnical Commission (IEC) on all matters of electrotechnical standardization.

International Standards are drafted in accordance with the rules given in the ISO/IEC Directives, Part 2.

The main task of technical committees is to prepare International Standards. Draft International Standards adopted by the technical committees are circulated to the member bodies for voting. Publication as an International Standard requires approval by at least 75 % of the member bodies casting a vote.

Attention is drawn to the possibility that some of the elements of this document may be the subject of patent rights. ISO shall not be held responsible for identifying any or all such patent rights.

ISO 3442-1 was prepared by Technical Committee ISO/TC 39, *Machine tools*, Subcommittee SC 8, *Work holding spindles and chucks*.

Together with ISO 3442-2 and ISO 3442-3, this first edition of ISO 3442-1 cancels and replaces ISO 3442:1991 and ISO 9401:1991. ISO/TC 39/SC 8 decided to split ISO 3442:1991 into three parts, at the same time incorporating ISO 9401:1991. As soon as all three parts of ISO 3442 are published, ISO 3442:1991 and ISO 9401:1991 will be withdrawn.

ISO 3442 consists of the following parts, under the general title *Machine tools — Dimensions and geometric tests for self-centring chucks with two-piece jaws*:

- *Part 1: Manually operated chucks with tongue and groove type jaws*
- *Part 2: Power-operated chucks with tongue and groove type jaws*
- *Part 3: Power-operated chucks with serrated jaws*

Machine tools — Dimensions and geometric tests for self-centring chucks with two-piece jaws —

Part 1:

Manually operated chucks with tongue and groove type jaws

1 Scope

This part of ISO 3442 specifies the sizes for interchangeability of self-centring, manually operated chucks with two-piece jaws (tongue and groove type) and describes, by reference to ISO 230-1, the geometric tests for such chucks. It also specifies the tolerances which apply to these tests.

2 Normative references

The following referenced documents are indispensable for the application of this document. For dated references, only the edition cited applies. For undated references, the latest edition of the referenced document (including any amendments) applies.

ISO 230-1:1996, *Test code for machine tools — Part 1: Geometric accuracy of machines operating under no-load or finishing conditions*

3 Preliminary remarks

3.1 Measurement units

All dimensions and tolerances in this part of ISO 3442 are expressed in millimetres.

3.2 Geometric tests

This part of ISO 3442 deals only with the verification of the rotational accuracy of the chuck and the positioning of the assembling elements of the top jaws. It does not apply to other dynamic considerations, such as measurement of lack of balance during rotation, balancing or measurement of gripping power.

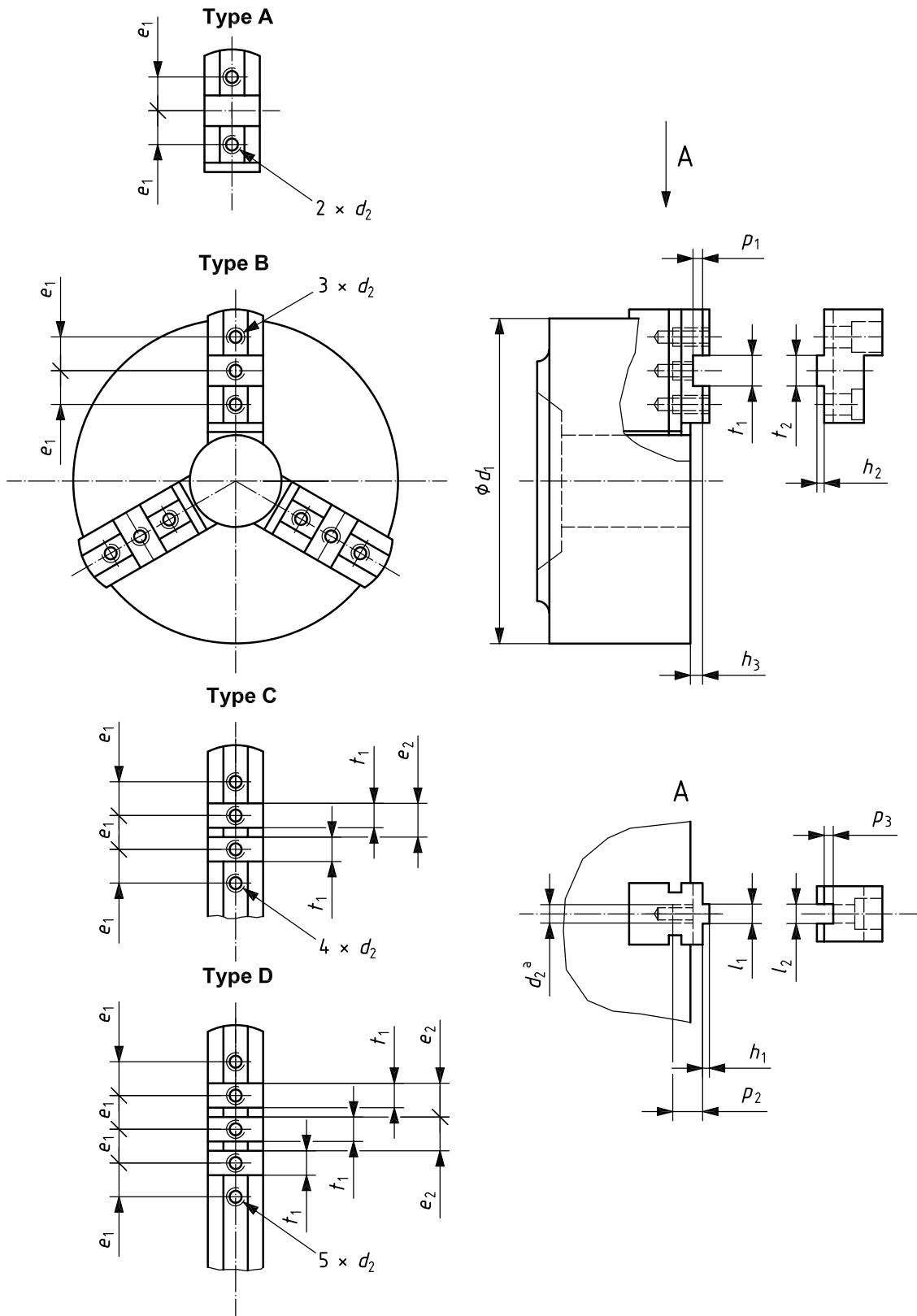
The main purpose of these tests is to allow either top jaw mounting compatible with the machining accuracy of the chuck or precise setting for top jaws on the chuck after carrying out preliminary centring, straightening or locking operations on a jig separate from the machine.

4 Accuracy classes

This part of ISO 3442 specifies only one accuracy class.

5 Sizes for interchangeability

The sizes for interchangeability of manually operated chucks are shown in Figure 1 and given in Table 1.



^a Threaded holes (see Table 1).

Figure 1 — Tongue and groove jaws

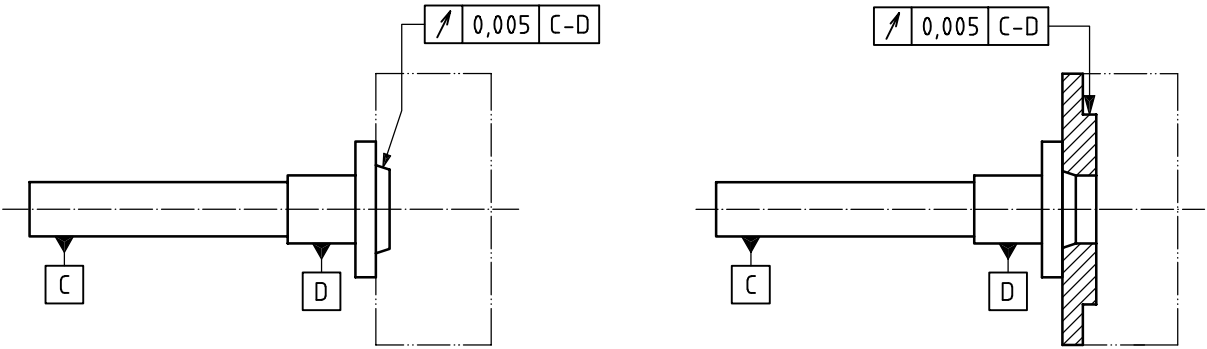
Table 1 — Dimensions of manually operated chucks

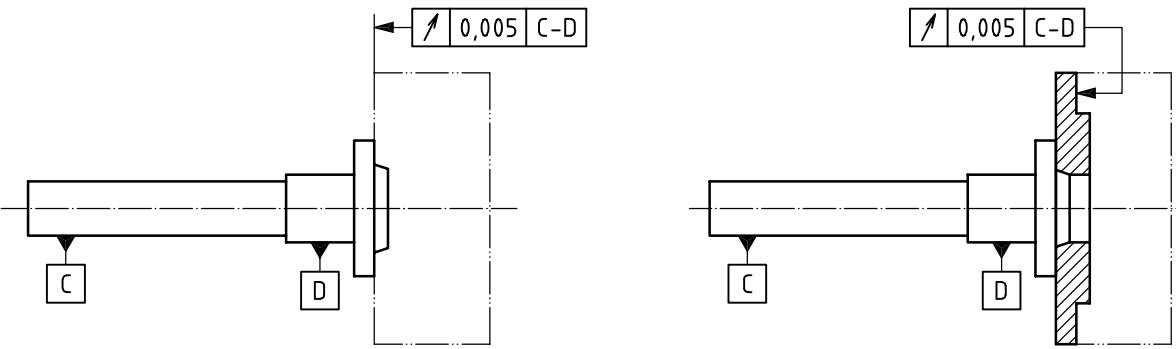
Nominal diameter of chuck $d_{1\text{nom}}$	100	125	160	200	250	315	400	500	630	800
Type	A	A	A	A	A	B	B	C	D	D
$d_1 \pm 5\%$	100	125	160	200	250	315	400	500	630	800
Base or master jaw										
d_2	M6	M8	M10	M10	M12	M12	M16	M20	M20	M20
$e_1 \pm 0,15$	9,5	11,1	19	22,2	27	31,75	38,1	38,1	38,1	38,1
e_2	—	—	—	—	—	—	—	38,1	38,1	38,1
h_1	2,2	2,2	3	3	3	3	3	3	3	3
h_3 min.	4	4	5	5	5	5	8	8	8	8
l_1 h9	6,35	6,35	7,94	7,94	12,7	12,7	12,7	12,7	12,7	12,7
p_1	3,2	3,2	4	4	4	4	7	7	7	7
p_2	9	13	18	18	20	20	28	33	33	33
t_1 H8	7,94	7,94	12,675	12,675	19,025	19,025	19,025	19,025	19,025	19,025
Top jaw										
h_2	2,2	2,2	3	3	3	3	6	6	6	6
l_2 E9	6,35	6,35	7,94	7,94	12,7	12,7	12,7	12,7	12,7	12,7
p_3	3,2	3,2	4	4	4	4	4	4	4	4
t_2 h8	7,94	7,94	12,675	12,675	19,025	19,025	19,025	19,025	19,025	19,025

6 Geometric tests

6.1 Spindle or face plate accuracy

Since some of the geometric tests to be carried out involve chuck rotation, the chuck should be mounted on a test spindle, either directly or by means of a face plate. The radial run-out of the outer surface of the test spindle or face plate and camming at any point on its face shall have been previously checked as in G01 and G02.

<p>Object</p> <p>Checking radial run-out of spindle nose or face plate.</p>	<h1 style="margin: 0;">G01</h1>
<p>Diagram</p> 	
<p>Tolerance</p> <p style="text-align: center;">0,005</p>	
<p>Measured deviation</p>	
<p>Measurement instruments</p> <p>Dial gauge.</p>	
<p>References to ISO 230-1:1996 and observations 5.611.4 and 5.612.2</p> <p>In the case of a tapered spindle nose, the stylus of the dial gauge shall be set normal to the surface which is to be checked.</p>	

<p>Object</p> <p>Checking camming of spindle nose or face plate.</p>	<h1 style="margin: 0;">G02</h1>
<p>Diagram</p> 	
<p>Tolerance</p> <p style="text-align: center;">0,005</p>	
<p>Measured deviation</p>	
<p>Measurement instruments</p> <p>Dial gauge.</p>	
<p>References to ISO 230-1:1996 and observations</p> <p style="text-align: right;">5.63</p>	