

**Verktgshållare med 7/24 kona för automatiska  
verktgsväxlare –**

Del 1: Mått och beteckning för hållare A, AD, AF, U,  
UD och UF (ISO 7388-1:2007, IDT)

**Tool shanks with 7/24 taper for automatic tool  
changers –**

Part 1: Dimensions and designation of shanks of  
forms A, AD, AF, U, UD and UF  
(ISO 7388-1:2007, IDT)

This preview is downloaded from [www.sis.se](http://www.sis.se). Buy the entire  
standard via <https://www.sis.se/std-62897>

ICS 25.060.20

Språk: engelska

Publicerad: oktober 2007

Den internationella standarden ISO 7388-1:2007 gäller som svensk standard. Detta dokument innehåller den officiella engelska versionen av ISO 7388-1:2007.

Denna standard ersätter SS-ISO 7388-1, utgåva 1.

The International Standard ISO 7388-1:2007 has the status of a Swedish Standard. This document contains the official English version of ISO 7388-1:2007.

This standard supersedes the Swedish Standard SS-ISO 7388-1, edition 1.

---

Upplysningar om **sakinnehållet** i standarden lämnas av SIS, Swedish Standards Institute, telefon 08 - 555 520 00.

Standarder kan beställas hos SIS Förlag AB som även lämnar **allmänna upplysningar** om svensk och utländsk standard.

*Postadress:* SIS Förlag AB, 118 80 STOCKHOLM  
*Telefon:* 08 - 555 523 10. *Telefax:* 08 - 555 523 11  
*E-post:* [sis.sales@sis.se](mailto:sis.sales@sis.se). *Internet:* [www.sis.se](http://www.sis.se)

## Foreword

ISO (the International Organization for Standardization) is a worldwide federation of national standards bodies (ISO member bodies). The work of preparing International Standards is normally carried out through ISO technical committees. Each member body interested in a subject for which a technical committee has been established has the right to be represented on that committee. International organizations, governmental and non-governmental, in liaison with ISO, also take part in the work. ISO collaborates closely with the International Electrotechnical Commission (IEC) on all matters of electrotechnical standardization.

International Standards are drafted in accordance with the rules given in the ISO/IEC Directives, Part 2.

The main task of technical committees is to prepare International Standards. Draft International Standards adopted by the technical committees are circulated to the member bodies for voting. Publication as an International Standard requires approval by at least 75 % of the member bodies casting a vote.

Attention is drawn to the possibility that some of the elements of this document may be the subject of patent rights. ISO shall not be held responsible for identifying any or all such patent rights.

ISO 7388-1 was prepared by Technical Committee ISO/TC 29, *Small tools*.

This second edition cancels and replaces the first edition (ISO 7388-1:1983), which has been technically revised. It also incorporates the Addendum ISO 7388-1:1983/Add. 1:1984.

ISO 7388 consists of the following parts, under the general title *Tool shanks with 7/24 taper for automatic tool changers*:

- *Part 1: Dimensions and designation of shanks of forms A, AD, AF, U, UD and UF*
- *Part 2: Dimensions and designation of shanks of forms J, JD and JF*
- *Part 3: Retention knobs for shanks of forms AC, AD, AF, UC, UD, UF, JD and JF*

## **Introduction**

The aim of ISO 7388 is to integrate existing standards which are most commonly used as an industrial standard. In addition, the different developments for cooling and data chip have been taken into account.

# Tool shanks with 7/24 taper for automatic tool changers —

## Part 1:

# Dimensions and designation of shanks of forms A, AD, AF, U, UD and UF

## 1 Scope

This part of ISO 7388 specifies the dimensions of tool shanks with a 7/24 taper, of shank forms A, AD, AF, U, UD and UF (with two possible additions for each), for automatic tool changers, used on machines having an automatic gripping system for feeding tools from the magazine to the spindle and vice-versa. These tools are designed with the most important dimensions for use in spindle noses according to ISO 9270.

## 2 Normative references

The following referenced documents are indispensable for the application of this document. For dated references, only the edition cited applies. For undated references, the latest edition of the referenced document (including any amendments) applies.

ISO 2768-1, *General tolerances — Part 1: Tolerances for linear and angular dimensions without individual tolerance indications*

ISO 2768-2, *General tolerances — Part 2: Geometrical tolerances for features without individual tolerance indications*

ISO 8015, *Technical drawings — Fundamental tolerancing principle*

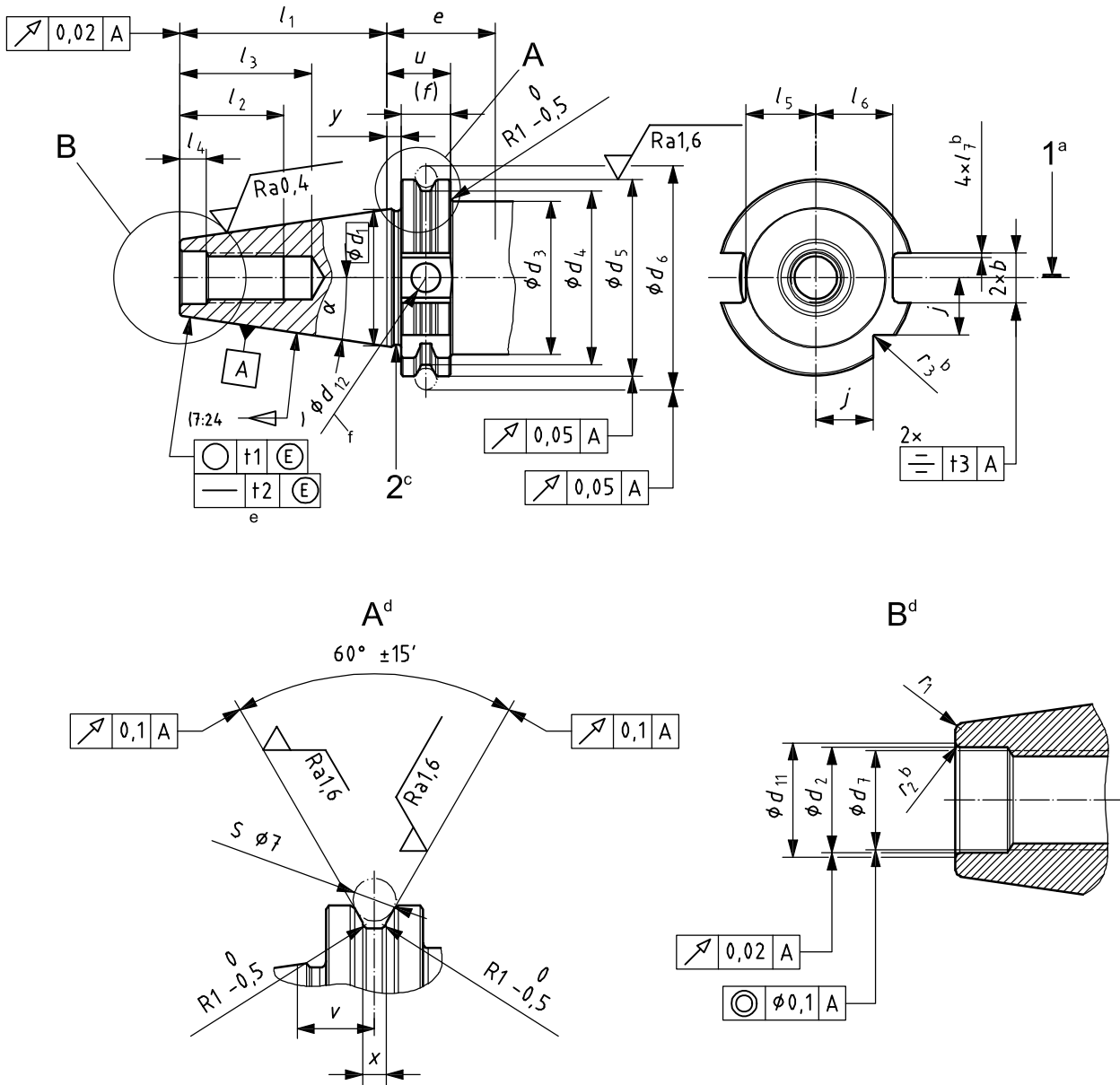
## 3 Dimensions

### 3.1 General

All dimensions and tolerances are given in millimetres; tolerancing is according to ISO 8015. Tolerances not specified shall be of tolerance class “m” in accordance with ISO 2768-1 and of class “k” in accordance with ISO 2768-2.

### 3.2 Shank forms A and U

See Figure 1 and Table 1.



**Key**

- 1 cutting edge
- 2 transition between taper and flange
- a Position of the cutting edge for right hand tools with single cutting edge.
- b At the option of the manufacturer (radius or chamfer).
- c At the manufacturer's discretion.
- d Scale: 2:1.
- e Not convex.
- f Depth. 0,4.

**Figure 1 — Shank forms A and U**