

**Verktyschuckar (fräschuckar) med
fastspänningsskruvar för cylindriska fästen med
medbringarplan –**

Del 1: Mått på medbringaranordningen
(ISO 5414-1:2002, IDT)

**Tool chucks (end mill holders) with clamp
screws for flatted cylindrical shank tools –**
Part 1: Dimensions of the driving system of tool
shanks (ISO 5414-1:2002, IDT)

Den internationella standarden ISO 5414-1:2006 gäller som svensk standard. Detta dokument innehåller den officiella engelska versionen av ISO 5414-1:2006.

Denna standard ersätter SS-ISO 5414-1, utgåva 1.

The International Standard ISO 5414-1:2006 has the status of a Swedish Standard. This document contains the official English version of ISO 5414-1:2006.

This standard supersedes the Swedish Standard SS-ISO 5414-1, edition 1.

Upplysningar om **sakinnehållet** i standarden lämnas av SIS, Swedish Standards Institute, telefon 08 - 555 520 00.

Standarder kan beställas hos SIS Förlag AB som även lämnar **allmänna upplysningar** om svensk och utländsk standard.

Postadress: SIS Förlag AB, 118 80 STOCKHOLM

Telefon: 08 - 555 523 10. *Telefax:* 08 - 555 523 11

E-post: sis.sales@sis.se. *Internet:* www.sis.se

Foreword

ISO (the International Organization for Standardization) is a worldwide federation of national standards bodies (ISO member bodies). The work of preparing International Standards is normally carried out through ISO technical committees. Each member body interested in a subject for which a technical committee has been established has the right to be represented on that committee. International organizations, governmental and non-governmental, in liaison with ISO, also take part in the work. ISO collaborates closely with the International Electrotechnical Commission (IEC) on all matters of electrotechnical standardization.

International Standards are drafted in accordance with the rules given in the ISO/IEC Directives, Part 3.

The main task of technical committees is to prepare International Standards. Draft International Standards adopted by the technical committees are circulated to the member bodies for voting. Publication as an International Standard requires approval by at least 75 % of the member bodies casting a vote.

Attention is drawn to the possibility that some of the elements of this part of ISO 5414 may be the subject of patent rights. ISO shall not be held responsible for identifying any or all such patent rights.

ISO 5414-1 was prepared by Technical Committee ISO/TC 29, *Small tools*, Subcommittee SC 2, *Drills, reamers, milling cutters and milling machines accessories*.

This third edition cancels and replaces the second edition (ISO 5414-1:1985), which has been technically revised (in particular by the addition of shanks with diameters 14 mm and 18 mm, and of dimension l_4).

ISO 5414 consists of the following parts, under the general title *Tool chucks (end mill holders) with clamp screws for flatted cylindrical shank tools*:

- *Part 1: Dimensions of the driving system of tool shanks*
- *Part 2: Connecting dimensions of chucks and designation*

Tool chucks (end mill holders) with clamp screws for flatted cylindrical shank tools —

Part 1: Dimensions of the driving system of tool shanks

1 Scope

This part of ISO 5414 lays down the dimensions of tool chucks (end mill holders) with clamp screws designed for driving flatted cylindrical shanks in accordance with ISO 3338-2 and specifies the clamp screws used. It also gives the maximum diameter of the chuck nose.

This part of ISO 5414 defines two types of drive:

- chucks with bores of $d_1 \leq 20$ mm intended for driving cylindrical shank tools with a single flat, these tools being provided with either a single or a double cutting part;
- chucks with bores of $d_1 \geq 25$ mm intended for driving cylindrical shank tools with a double flat, these tools being provided with a single cutting part only.

NOTE The connecting dimensions of the various types of chucks and the designation of tool chucks (end mill holders) with clamp screws are dealt with in ISO 5414-2.

2 Normative reference

The following normative document contains provisions which, through reference in this text, constitute provisions of this part of ISO 5414. For dated references, subsequent amendments to, or revisions of, any of these publications do not apply. However, parties to agreements based on this part of ISO 5414 are encouraged to investigate the possibility of applying the most recent edition of the normative document indicated below. For undated references, the latest edition of the normative document referred to applies. Members of ISO and IEC maintain registers of currently valid International Standards.

ISO 3338-2, *Cylindrical shanks for milling cutters — Part 2: Dimensional characteristics of flatted cylindrical shanks*

3 Dimensions

3.1 Chucks for tool shanks with single flat

See Figure 1 and Table 1.

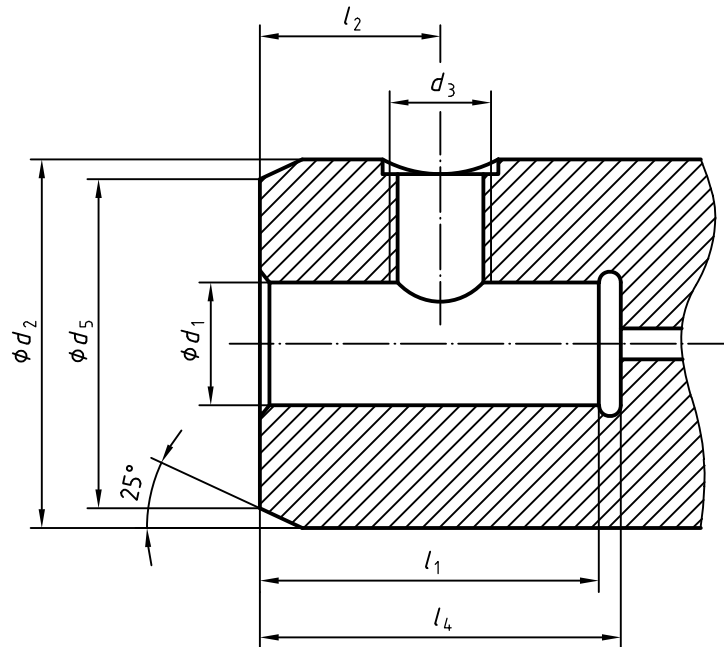


Figure 1

Table 1

Dimensions in millimetres

d_1 H5	l_1 ± 1	l_2 $\begin{smallmatrix} 0 \\ -1 \end{smallmatrix}$	l_4 min.	d_2 min.	d_3 6H	d_5 $\begin{smallmatrix} 0 \\ -1 \end{smallmatrix}$
6	35	18	37	25	M6	15
8	35	18	37	28	M8	20
10	39	20	41	35	M10	25
12	44	22,5	46	42	M12	30
14	44	22,5	46	44	M12	32
16	47	24	49	48	M14	36
18	47	24	49	50	M14	38
20	49	25	51	52	M16	40