



SIS - Standardiseringskommissionen i Sverige

Standarden utarbetad av

SMS, SVERIGES MEKANSTANDARDISERING

SVENSK STANDARD SS-ISO 7707

Första giltighetsdag

Utgåva

Sida

Registrering

1988-04-01

1

1 (4)

SMS reg 464.812

SIS FASTSTÄLLER OCH UTGER SVENSK STANDARD SAMT SÄLJER NATIONELLA OCH INTERNATIONELLA STANDARDPUBLIKATIONER ©

Vägfordon – Anslutningsmått för bakre kraftuttag

Denna standard utgörs av den engelska versionen av den internationella standarden ISO 7707-1986.

Den ISO-standard som åberopas i standarden är överförd till svensk standard:

ISO 7706 =SS-ISO 7706 (SMS reg 464.822), Bilar – Fritt utrymme för kraftuttag (PTO) på lastbilar, E

E betecknar engelsk text.

Commercial road vehicles – Connections for rear-mounted power take-offs (PTO)

This Swedish standard consists of the English version of the International Standard ISO 7707-1986.

The ISO standard referred to in this standard is adopted in a Swedish standard:

E indicates English text.

Commercial road vehicles – Connections for rear-mounted power take-offs (PTO)

1 Scope and field of application

This International Standard specifies the essential dimensions of connections for rear-mounted power take-offs (PTO). These specifications are applicable to all installations of power take-offs at the back of transmission gearboxes of commercial vehicles.

2 Reference

(The ISO standard is adopted in a Swedish standard. See page 1.)

ISO 7706, *Road vehicles – Commercial vehicles – Clearance envelope for power take-offs (PTO)*.

3 Specifications

This International Standard defines three connection types for rear-mounted PTOs :

– Type A

– Type B

– Type E

Type A is, however, recommended if the design of the transmission permits. Type E may be used for stepped PTOs.

4 Designation

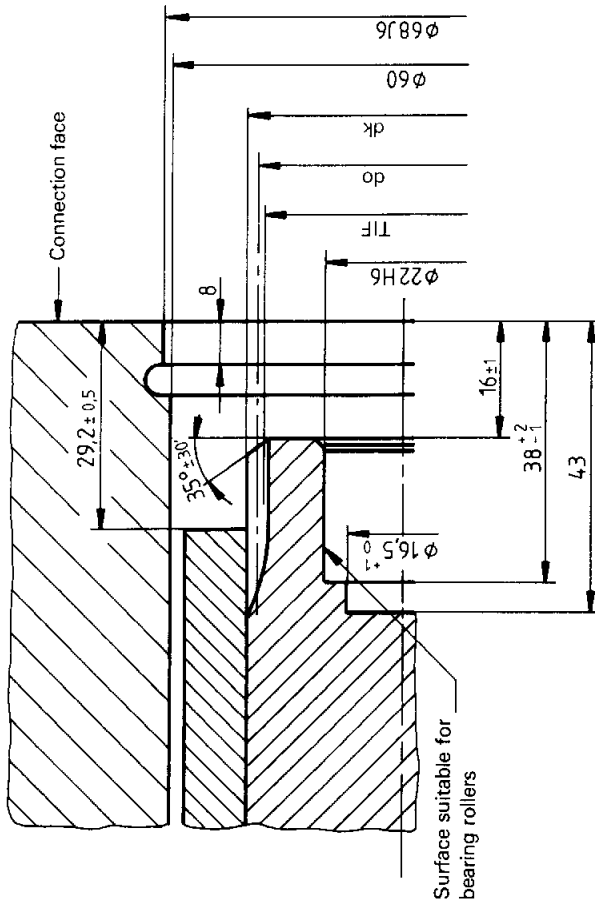
Example for the designation of a type A connection for a rear-mounted PTO :

PTO rear connection ISO 7707-A

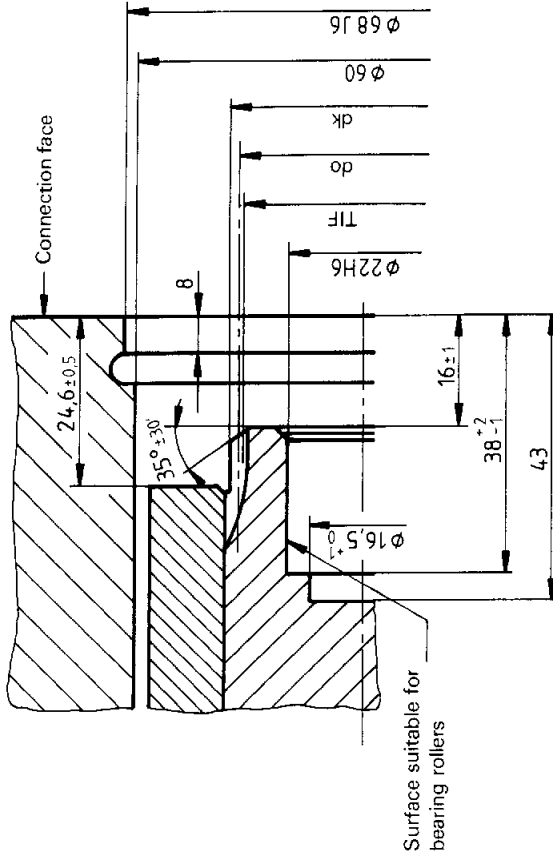
Dimensions in millimetres

Connections for rear-mounted PTO

Type A



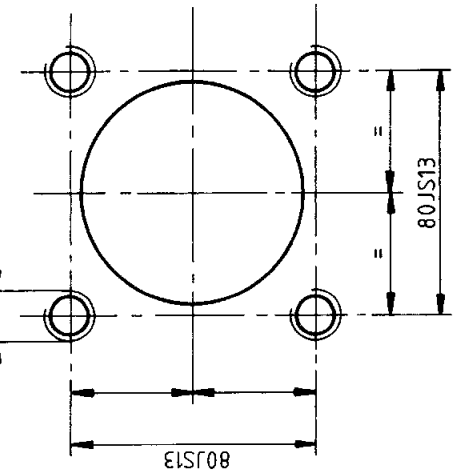
Type B



Spline data

No. of teeth :	12
Standard module :	3,25
Pressure angle :	20°
TIP diameter :	44,4 h11
Reference diameter :	39,0
Form diameter :	38,85
Span over two teeth :	16,21
	16,16

M12 Thread pattern



Spline data

No. of teeth :	12
Standard module :	3,0
Pressure angle :	20°
TIP diameter :	39,9 h11
Reference diameter :	36,0
Form diameter :	35,35
Span over two teeth :	13,98
	13,92

NOTE – The length of bolts is specified by the manufacturer.