



SIS - Standardiseringskommissionen i Sverige

Standarden utarbetad av

**SMS SVERIGES MEKANSTANDARDISERING**

**SVENSK STANDARD SS-ISO 7653**

Första giltighetsdag	Utgåva	Sida	Registrering
1986-05-20	1	1 (4)	<b>SMS reg 464.824</b>

SIS FASTSTÄLLER OCH UTGER SVENSK STANDARD SAMT SÄLJER NATIONELLA OCH INTERNATIONELLA STANDARDPUBLIKATIONER ©

**Bilar – Kopplingar mellan kraftuttag  
(PTO) och hjälppaggregat på lastbilar**

**Road vehicles – Commercial vehicles –  
Couplings between power take-offs  
(PTO) and ancillary driven units**

Denna standard utgörs av den engelska versionen av den internationella standarden ISO 7653-1985.

This Swedish standard consists of the English version of the International Standard ISO 7653-1985.

# Road vehicles – Commercial vehicles – Couplings between power take-offs (PTO) and ancillary driven units

## 1 Scope and field of application

This International Standard lays down the dimensions of couplings between power take-offs (PTO) and ancillary driven units mounted on commercial vehicles, such as hydraulic pumps, etc.

This International Standard applies to ancillary equipment of commercial vehicles that require a hydraulic or mechanical power system and that take power off the main drive line of the vehicle.

## 2 References

ISO 14, *Straight-sided splines for cylindrical shafts with internal centering – Dimensions, tolerances and verification.*

ISO 7646, *Road vehicles – Gearbox flanges for commercial vehicles and buses – Type A.*<sup>1)</sup>

ISO 7647, *Road vehicles – Gearbox flanges for commercial vehicles and buses – Type S.*<sup>1)</sup>

## 3 Specifications

### 3.1 Types of couplings

This International Standard defines two types of couplings:

- Type A: Indirect coupling
- Type D: Direct coupling

Type A is designed for flange coupling (indirect coupling) but it may also be used for direct coupling if optional features as shown in figure 1 are provided.

### 3.2 Interchangeability

Indirect couplings shall comply with the requirements of figure 1.<sup>2)</sup>

Direct couplings shall comply with the requirements of figure 2.

Details not specified are left to the manufacturer's choice.

### 3.3 Flanges

Flanges for type A splined shafts shall comply with ISO 7646 or ISO 7647.

## 4 Designation

Example for the designation of a PTO with type D connection:

**PTO Coupling ISO 7653 - D**

1) At present at the stage of draft.

2) If the flange is supplied by the PTO manufacturer the shaft need not be in accordance with figure 1. However in this case the dimensions of the flange shall conform to ISO 7646 or ISO 7647.

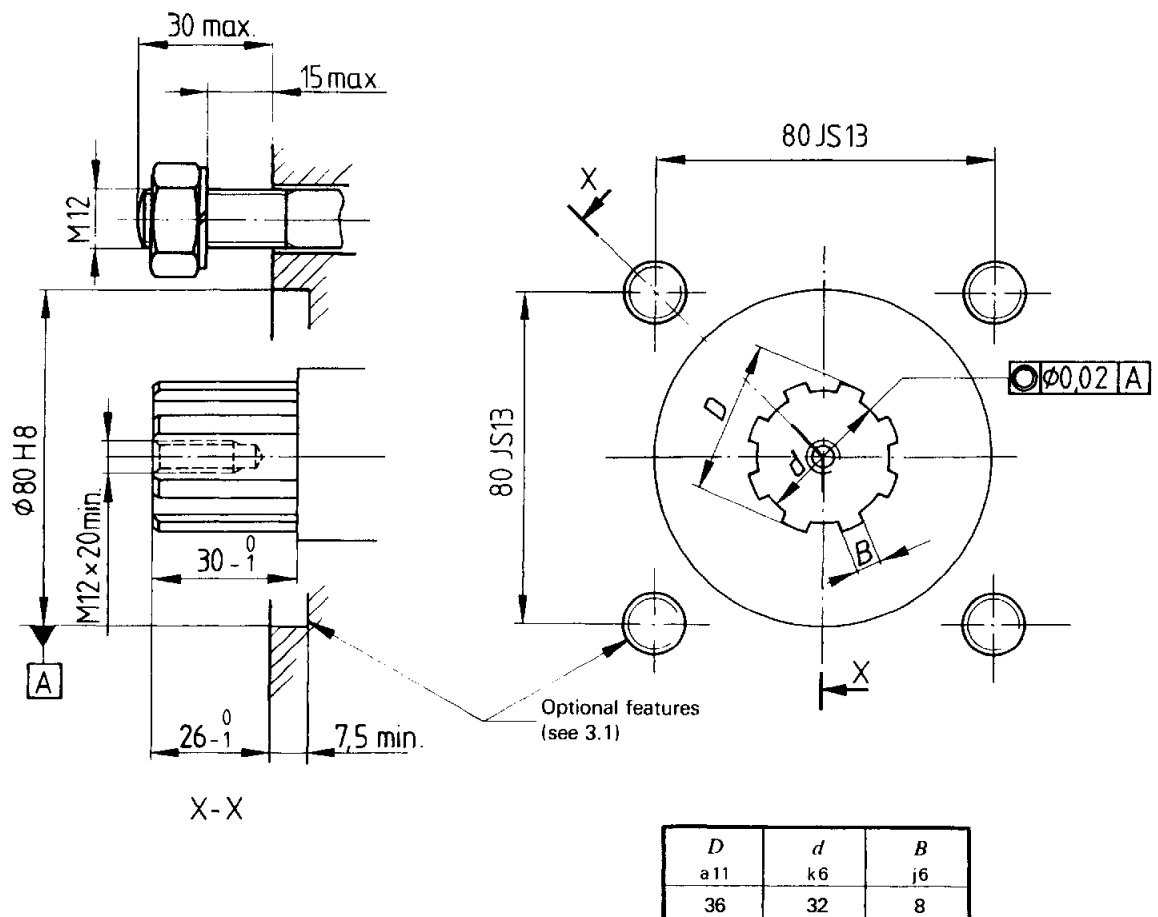


Figure 1 – Type A indirect coupling – PTO side