



SWEDISH
STANDARDS
INSTITUTE

SVENSK STANDARD SS-ISO 19125-2:2004

Fastställd 2004-09-24

Utgåva 1

Geografisk information – Hantering av enklare objekt –

Del 2: SQL-gränssnitt (ISO 19125-2:2004, IDT)

Geographic information – Simple feature access –

Part 2: SQL option (ISO 19125-2:2004, IDT)

ICS 35.020; 35.040; 35.240.01; 35.240.50; 35.240.60; 35.240.70

Språk: engelska

Publicerad: november 2004

© Copyright SIS. Reproduction in any form without permission is prohibited.

Den internationella standarden ISO 19125-2:2004 gäller som svensk standard. Detta dokument innehåller den officiella engelska versionen av ISO 19125-2:2004.

The International Standard ISO 19125-2:2004 has the status of a Swedish Standard. This document contains the official English version of ISO 19125-2:2004.

Upplysningar om **sakinnehållet** i standarden lämnas av SIS, Swedish Standards Institute, telefon 08 - 555 520 00.

Standarder kan beställas hos SIS Förlag AB som även lämnar **allmänna upplysningar** om svensk och utländsk standard.

Postadress: SIS Förlag AB, 118 80 STOCKHOLM
Telefon: 08 - 555 523 10. *Telefax:* 08 - 555 523 11
E-post: sis.sales@sis.se. *Internet:* www.sis.se

Contents

Page

Foreword	iv
Introduction	v
1 Scope.....	1
2 Conformance	2
3 Normative references	2
4 Terms and definitions.....	2
5 Symbols and abbreviated terms.....	3
6 Architecture	4
6.1 Architecture — SQL implementation of feature tables based on predefined data types	4
6.2 Architecture — SQL with Geometry Types implementation of feature tables.....	7
7 Clause component specifications	12
7.1 Components — Implementation of feature tables based on predefined data types	12
7.2 Components — SQL with Geometry Types implementation of feature tables.....	17
Annex A (informative) Comparison of Simple feature access/SQL and SQL/MM – Spatial.....	31
Annex B (normative) Conformance tests.....	32

SS-ISO 19125-2:2004

Foreword

ISO (the International Organization for Standardization) is a worldwide federation of national standards bodies (ISO member bodies). The work of preparing International Standards is normally carried out through ISO technical committees. Each member body interested in a subject for which a technical committee has been established has the right to be represented on that committee. International organizations, governmental and non-governmental, in liaison with ISO, also take part in the work. ISO collaborates closely with the International Electrotechnical Commission (IEC) on all matters of electrotechnical standardization.

International Standards are drafted in accordance with the rules given in the ISO/IEC Directives, Part 2.

The main task of technical committees is to prepare International Standards. Draft International Standards adopted by the technical committees are circulated to the member bodies for voting. Publication as an International Standard requires approval by at least 75 % of the member bodies casting a vote.

Attention is drawn to the possibility that some of the elements of this document may be the subject of patent rights. ISO shall not be held responsible for identifying any or all such patent rights.

ISO 19125-2 was prepared by Technical Committee ISO/TC 211, *Geographic information/Geomatics* from a base document supplied by the Open GIS Consortium, Inc.

ISO 19125 consists of the following parts, under the general title *Geographic information — Simple feature access*:

— *Part 1: Common architecture*

— *Part 2: SQL option*

Part 3: COM/OLE option is under preparation.

Introduction

The purpose of this part of ISO 19125 is to define a standard Structured Query Language (SQL) schema that supports storage, retrieval, query and update of feature collections via the SQL Call-Level Interface (SQL/CLI) (ISO/IEC 9075-3:2003). A feature has both spatial and non-spatial attributes. Spatial attributes are geometry valued, and simple features are based on 2D geometry with linear interpolation between vertices. This part of ISO 19125 is dependent on the common architectural components defined in ISO 19125-1.

Feature collections are stored as tables with geometry valued columns in a SQL-implementation; each feature is a row in the table. The non-spatial attributes of features are mapped onto columns whose types are drawn from the set of standard SQL data types. The spatial attributes of features are mapped onto columns whose SQL data types are based on the underlying concept of additional geometric data types for SQL. A table whose rows represent these features is referred to as a feature table. Such a table contains one or more geometry valued columns. Feature-table schemas are described for two SQL-implementations: implementations based on predefined data types and SQL with Geometry Types.

In an implementation based on predefined data types, a geometry-valued column is implemented as a Foreign Key reference into a geometry table. A geometry value is stored using one or more rows in the geometry table. The geometry table may be implemented using either standard SQL numeric types or SQL binary types; schemas for both are described.

The term SQL with Geometry Types is used to refer to a SQL-implementation that has been extended with a set of Geometry Types. In this environment, a geometry-valued column is implemented as a column whose SQL type is drawn from this set of Geometry Types. The mechanism for extending the type system of an SQL-implementation is through the definition of user defined User Defined Types. Commercial SQL-implementations with user defined type support have been available since mid-1997.

Geographic information — Simple feature access —

Part 2: SQL option

1 Scope

This part of ISO 19125 specifies an SQL schema that supports storage, retrieval, query and update of simple geospatial feature collections via the SQL Call Level Interface (SQL/CLI) (ISO/IEC 9075-3:2003).

This part of ISO 19125 establishes an architecture for the implementation of feature tables.

This part of ISO 19125 defines terms to use within the architecture.

This part of ISO 19125 defines a simple feature profile of ISO 19107.

This part of ISO 19125 describes a set of SQL Geometry Types together with SQL functions on those types. The Geometry Types and Functions described in this part of ISO 19125 represent a profile of ISO 13249-3.

This part of ISO 19125 does not attempt to standardize and does not depend upon any part of the mechanism by which Types are added and maintained in the SQL environment including the following:

- a) the syntax and functionality provided for defining types;
- b) the syntax and functionality provided for defining SQL functions;
- c) the physical storage of type instances in the database;
- d) specific terminology used to refer to User Defined Types, for example, UDT.

This part of ISO 19125 does standardize:

- names and geometric definitions of the SQL Types for Geometry;
- names, signatures and geometric definitions of the SQL Functions for Geometry.

This part of ISO 19125 describes a feature access implementation in SQL based on a profile of ISO 19107. ISO 19107 does not place any requirements on how to define the Geometry Types in the internal schema. ISO 19107 does not place any requirements on when or how or who defines the Geometry Types. In particular, a compliant system may be shipped to the database user with the set of Geometry Types and Functions already built into the SQL-implementation, or with the set of Geometry Types and Functions supplied to the database user as a dynamically loaded extension to the SQL-implementation or in any other manner not mentioned in this part of ISO 19125.

SS-ISO 19125-2:2004

2 Conformance

In order to conform to this part of ISO 19125, an implementation shall satisfy the requirements of one of the following three conformance classes, as well as the appropriate components of ISO 19125-1:

- a) SQL implementation of feature tables based on predefined data types:
 - 1) using numeric SQL types for geometry storage and SQL/CLI access,
 - 2) using binary SQL types for geometry storage and SQL/CLI access;
- b) SQL with Geometry Types implementation of feature tables supporting both textual and binary SQL/CLI access to geometry.

Annex B provides conformance tests for each implementation of this part of ISO 19125.

3 Normative references

The following referenced documents are indispensable for the application of this document. For dated references, only the edition cited applies. For undated references, the latest edition of the referenced document (including any amendments) applies.

ISO/IEC 9075-1:2003, *Information technology — Database languages — SQL — Part 1: Framework (SQL/Framework)*

ISO/IEC 9075-2:2003, *Information technology — Database languages — SQL — Part 2: Foundation (SQL/Foundation)*

ISO/IEC 9075-3:2003, *Information technology — Database languages — SQL — Part 3: Call-Level Interface (SQL/CLI)*

ISO/IEC 9075-4:2003, *Information technology — Database languages — SQL — Part 4: Persistent Stored Modules (SQL/PSM)*

ISO/IEC 9075-5:1999, *Information technology — Database languages — SQL — Part 5: Host Language Bindings (SQL/Bindings)*

ISO/IEC 13249-3:2003, *Information technology — Database languages — SQL multimedia and application packages — Part 3: Spatial*

ISO 19107:2003, *Geographic information — Spatial schema*

ISO 19109:—¹⁾, *Geographic information — Rules for application schema*

ISO 19119:2004, *Geographic information — Services*

ISO 19125-1:2004, *Geographic information — Simple feature access — Part 1: Common architecture*

4 Terms and definitions

For the purposes of this part of ISO 19125, the following terms and definitions apply.

4.1 feature table

table where the columns represent feature attributes, and the rows represent features

1) To be published.

4.2

geographic feature

representation of real world phenomenon associated with a location relative to the Earth

5 Symbols and abbreviated terms

FID	Feature ID column in the implementation of feature tables based on predefined data types
GID	Geometry ID column in the implementation of feature tables based on predefined data types
MM	Multimedia
SQL	Structured Query Language
SRID	Spatial Reference System Identifier
SRTEXT	Spatial Reference System Well Known Text
WKB	Well-Known Binary (representation for example, geometry)
WKTR	Well-Known Text Representation
2D	2-Dimensional
\mathbb{R}^1	1-Dimensional space
\mathbb{R}^2	2-Dimensional space
\emptyset	empty set
\cap	intersection
\cup	union
$-$	difference
\in	is a member of
\notin	is not a member of
\subset	is a proper subset of
\subseteq	is a subset of
\Leftrightarrow	if and only if
\Rightarrow	implies
\forall	for all
$\{ X \mid \dots \}$	set of X such that...
\wedge	and
\vee	or
\neg	not
$=$	equal
\neq	not equal
$<$	less than
$>$	greater than

SS-ISO 19125-2:2004

6 Architecture

6.1 Architecture — SQL implementation of feature tables based on predefined data types

6.1.1 Overview

This part of ISO 19125 defines a schema for the management of feature table, Geometry, and Spatial Reference System information in an SQL-implementation based on predefined data types. This part of ISO 19125 does not define SQL functions for access, maintenance, or indexing of Geometry in an SQL-implementation based on predefined data types.

Figure 1 illustrates the schema to support feature tables, Geometry, and Spatial Reference Information in an SQL-implementation based on predefined data types.

- The GEOMETRY_COLUMNS table describes the available feature tables and their Geometry properties.
- The SPATIAL_REF_SYS table describes the coordinate system and transformations for Geometry.
- The feature table stores a collection of features. A feature table's columns represent feature attributes, while rows represent individual features. The Geometry of a feature is one of its feature attributes; while logically a geometric data type, a Geometry Column is implemented as a foreign key to a geometry table.
- The geometry table stores geometric objects, and may be implemented using either standard SQL numeric types or SQL binary types.

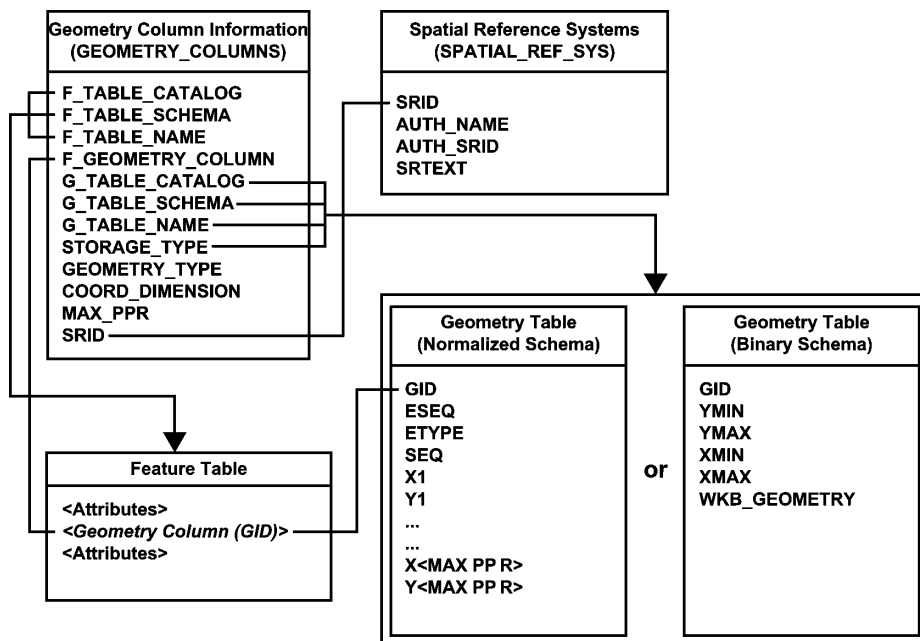


Figure 1 — Schema for feature tables using predefined data types

Depending upon the storage type specified by the GEOMETRY_COLUMNS table, a geometric object is stored either as an array of coordinate values or as a single binary value. In the former case, predefined SQL numeric types are used for the coordinates and these numeric values are obtained from the geometry table until the geometric object has been fully reconstructed. In the latter case, the complete geometric object is obtained in the Well-known Binary Representation as a single value.

6.1.2 Identification of feature tables and geometry columns

Feature tables and Geometry columns are identified through the GEOMETRY_COLUMNS table. Each Geometry Column in the database has an entry in the GEOMETRY_COLUMNS table. The data stored for each geometry column consists of the following:

- a) the identity of the feature table of which this Geometry Column is a member;
- b) the name of the Geometry Column;
- c) the spatial reference system ID (SRID) for the Geometry Column;
- d) the type of Geometry for the Geometry column;
- e) the coordinate dimension for the Geometry Column;
- f) the identity of the geometry table that stores geometric objects for this Geometry Column;
- g) the information necessary to navigate the geometry table in the case of normalized geometry storage.

6.1.3 Identification of Spatial Reference Systems

Every Geometry Column is associated with a Spatial Reference System. The Spatial Reference System identifies the coordinate system for all geometric objects stored in the column, and gives meaning to the numeric coordinate values for any geometric object stored in the column. Examples of commonly used Spatial Reference Systems include "Latitude Longitude" and "UTM Zone 10".

The SPATIAL_REF_SYS table stores information on each Spatial Reference System in the database. The columns of this table are the Spatial Reference System Identifier (SRID), the Spatial Reference System Authority Name (AUTH_NAME), the Authority Specific Spatial Reference System Identifier (AUTH_SRID) and the Well-known Text description of the Spatial Reference System (SRTEXT). The Spatial Reference System Identifier (SRID) constitutes a unique integer key for a Spatial Reference System within a database.

Interoperability between clients is achieved via the SRTEXT column which stores the Well-known Text representation for a Spatial Reference System.

6.1.4 Feature tables

A feature is an abstraction of a real-world object. Feature attributes are columns in a feature table. Features are rows in a feature table. The Geometry of a feature is one of its feature attributes; while logically a geometric data type, a geometry column is implemented as a foreign key to a geometry table.

Relationships between features may be defined as foreign key references between feature tables.

6.1.5 Geometry tables

6.1.5.1 Normalized geometry schema

The normalized geometry schema stores the coordinates of geometric objects as predefined SQL numeric types. One or more coordinates (X and Y ordinate values) will be represented by pairs of numeric types in the geometry table, as shown in Figure 2. Each geometric object is identified by a key (GID) and consists of one or more primitive elements ordered by an element sequence (ESEQ). Each primitive element in the geometric object is distributed over one or more rows in the geometry table, identified by a primitive type (ETYPE), and ordered by a sequence number (SEQ).