

SVENSK STANDARD

SS-ISO 514:2014

Fastställt/Approved: 2014-11-10
Publicerad/Published: 2014-11-12
Utgåva/Edition: 1
Språk/Language: engelska/English
ICS: 25.100.10

Svarvstål med hårdmetallskär – Invändiga stål (ISO 514:2014, IDT)

Turning tools with carbide tips – Internal tools (ISO 514:2014, IDT)

This preview is downloaded from www.sis.se. Buy the entire standard via <https://www.sis.se/std-104323>

Standarder får världen att fungera

SIS (Swedish Standards Institute) är en fristående ideell förening med medlemmar från både privat och offentlig sektor. Vi är en del av det europeiska och globala nätverk som utarbetar internationella standarder. Standarder är dokumenterad kunskap utvecklad av framstående aktörer inom industri, näringsliv och samhälle och befrämjar handel över gränser, bidrar till att processer och produkter blir säkrare samt effektiviserar din verksamhet.

Delta och påverka

Som medlem i SIS har du möjlighet att påverka framtida standarder inom ditt område på nationell, europeisk och global nivå. Du får samtidigt tillgång till tidig information om utvecklingen inom din bransch.

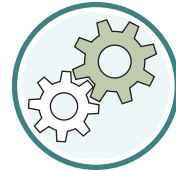
Ta del av det färdiga arbetet

Vi erbjuder våra kunder allt som rör standarder och deras tillämpning. Hos oss kan du köpa alla publikationer du behöver – allt från enskilda standarder, tekniska rapporter och standardpaket till handböcker och onlinetjänster. Genom vår webbtjänst e-nav får du tillgång till ett lättnavigerat bibliotek där alla standarder som är aktuella för ditt företag finns tillgängliga. Standarder och handböcker är källor till kunskap. Vi säljer dem.

Utveckla din kompetens och lyckas bättre i ditt arbete

Hos SIS kan du gå öppna eller företagsinterna utbildningar kring innehåll och tillämpning av standarder. Genom vår närhet till den internationella utvecklingen och ISO får du rätt kunskap i rätt tid, direkt från källan. Med vår kunskap om standarders möjligheter hjälper vi våra kunder att skapa verklig nytta och lönsamhet i sina verksamheter.

Vill du veta mer om SIS eller hur standarder kan effektivisera din verksamhet är du välkommen in på www.sis.se eller ta kontakt med oss på tel 08-555 523 00.



Standards make the world go round

SIS (Swedish Standards Institute) is an independent non-profit organisation with members from both the private and public sectors. We are part of the European and global network that draws up international standards. Standards consist of documented knowledge developed by prominent actors within the industry, business world and society. They promote cross-border trade, they help to make processes and products safer and they streamline your organisation.

Take part and have influence

As a member of SIS you will have the possibility to participate in standardization activities on national, European and global level. The membership in SIS will give you the opportunity to influence future standards and gain access to early stage information about developments within your field.

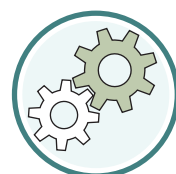
Get to know the finished work

We offer our customers everything in connection with standards and their application. You can purchase all the publications you need from us - everything from individual standards, technical reports and standard packages through to manuals and online services. Our web service e-nav gives you access to an easy-to-navigate library where all standards that are relevant to your company are available. Standards and manuals are sources of knowledge. We sell them.

Increase understanding and improve perception

With SIS you can undergo either shared or in-house training in the content and application of standards. Thanks to our proximity to international development and ISO you receive the right knowledge at the right time, direct from the source. With our knowledge about the potential of standards, we assist our customers in creating tangible benefit and profitability in their organisations.

If you want to know more about SIS, or how standards can streamline your organisation, please visit www.sis.se or contact us on phone +46 (0)8-555 523 00



Den internationella standarden ISO 514:2014 gäller som svensk standard. Detta dokument innehåller den officiella engelska versionen av ISO 514:2014.

The International Standard ISO 514:2014 has the status of a Swedish Standard. This document contains the official version of ISO 514:2014.

© Copyright/Upphovsrätten till denna produkt tillhör SIS, Swedish Standards Institute, Stockholm, Sverige. Användningen av denna produkt regleras av slutanvändarlicensen som återfinns i denna produkt, se standardens sista sidor.

© Copyright SIS, Swedish Standards Institute, Stockholm, Sweden. All rights reserved. The use of this product is governed by the end-user licence for this product. You will find the licence in the end of this document.

Upplysningar om sakinnehållet i standarden lämnas av SIS, Swedish Standards Institute, telefon 08-555 520 00. Standarder kan beställas hos SIS Förlag AB som även lämnar allmänna upplysningar om svensk och utländsk standard.

Information about the content of the standard is available from the Swedish Standards Institute (SIS), telephone +46 8 555 520 00. Standards may be ordered from SIS Förlag AB, who can also provide general information about Swedish and foreign standards.

Denna standard är framtagen av kommittén för Skärande verktyg, SIS/TK 273.

Har du synpunkter på innehållet i den här standarden, vill du delta i ett kommande revideringsarbete eller vara med och ta fram andra standarder inom området? Gå in på www.sis.se - där hittar du mer information.

Contents

Page

Foreword	iv
1 Scope	1
2 Normative references	1
3 Specifications	1
3.1 Types of internal tools.....	1
3.2 Shank sections.....	1
3.3 Overall lengths.....	1
3.4 Shape of the operative portion.....	2
4 Dimensions	2
Annex A (informative) Relationship between designations in ISO 514 and ISO 13399 series	4
Bibliography	5

Foreword

ISO (the International Organization for Standardization) is a worldwide federation of national standards bodies (ISO member bodies). The work of preparing International Standards is normally carried out through ISO technical committees. Each member body interested in a subject for which a technical committee has been established has the right to be represented on that committee. International organizations, governmental and non-governmental, in liaison with ISO, also take part in the work. ISO collaborates closely with the International Electrotechnical Commission (IEC) on all matters of electrotechnical standardization.

The procedures used to develop this document and those intended for its further maintenance are described in the ISO/IEC Directives, Part 1. In particular the different approval criteria needed for the different types of ISO documents should be noted. This document was drafted in accordance with the editorial rules of the ISO/IEC Directives, Part 2 (see www.iso.org/directives).

Attention is drawn to the possibility that some of the elements of this document may be the subject of patent rights. ISO shall not be held responsible for identifying any or all such patent rights. Details of any patent rights identified during the development of the document will be in the Introduction and/or on the ISO list of patent declarations received (see www.iso.org/patents).

Any trade name used in this document is information given for the convenience of users and does not constitute an endorsement.

For an explanation on the meaning of ISO specific terms and expressions related to conformity assessment, as well as information about ISO's adherence to the WTO principles in the Technical Barriers to Trade (TBT) see the following URL: Foreword - Supplementary information.

The committee responsible for this document is ISO/TC 29, *Small tools*, Subcommittee SC 9, *Tools with cutting edges made of hard cutting materials*.

This second edition cancels and replaces the first edition (ISO 514:1975), of which it constitutes a minor revision.

Turning tools with carbide tips — Internal tools

1 Scope

This International Standard specifies the types and dimensions of turning tools with carbide tips; it deals only with internal tools.

The shank sections and the inserts used are selected respectively from those defined in ISO 241 and ISO 242.

NOTE External tools and the definition of right-hand and left-hand tools are the subject of ISO 243; designation and marking are the subject of ISO 504.

2 Normative references

The following referenced documents are indispensable for the application of this document. For dated references, only the edition cited applies. For undated references, the latest edition of the referenced document (including any amendments) applies.

ISO 241, *Shanks for turning and planing tools — Shapes and dimensions of the section*

ISO 242, *Carbide tips for brazing on turning tools*

3 Specifications

3.1 Types of internal tools

Only two types of internal tools, considered to be those most generally used, are provided for; they are tool No. 8 and tool No. 9, which differ from each other only in the shape of the end of the operative portion.

Both types may be made either with a square shank or with a cylindrical shank, the front portion of the tool being of round section in both cases.

Dimension l shown in [Table 1](#) is the nominal length of the carbide tip, type A or C, selected from those specified in ISO 242; this dimension is equal to approximately $0,6 d$.

3.2 Shank sections

For the particular case of internal tools, only two types of sections are selected from among the various types specified in ISO 241:

- a) the square section $h = b$;
- b) the round section d .

3.3 Overall lengths

Only one range of overall lengths is specified, the length being a function of the diameter d .

The lengths are scaled approximately in the series of preferred numbers R 40/3 and are a practically linear expression in terms of d , no value departing by more than 15 mm from the value obtained with the formula:

$$10 d + 50 \text{ mm}$$

3.4 Shape of the operative portion

To permit the production of holes as small as possible, a bend of 15° is specified for the operative portion, with a dimension n virtually equal to $0,4 d$ and a cutting edge located at a distance equal to $0,2 d$ below the upper plane of the shank of the tool.

4 Dimensions

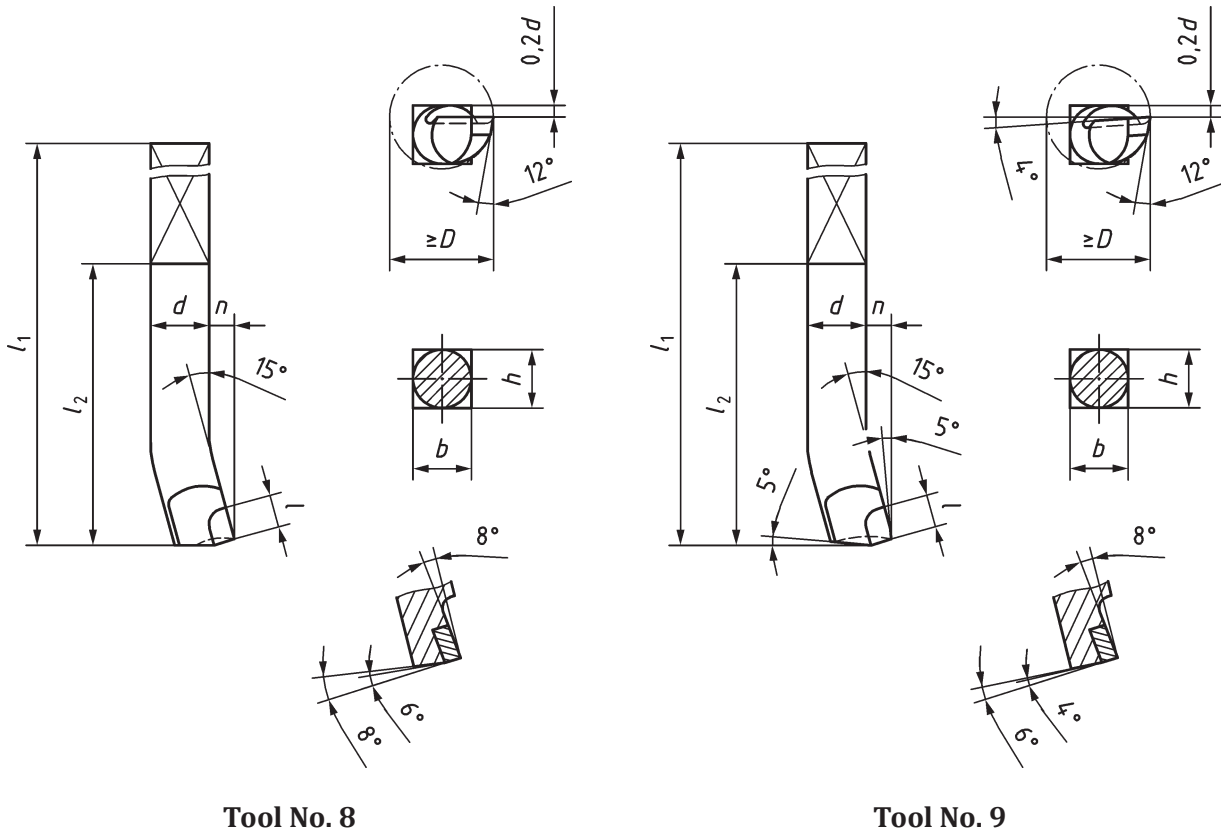


Figure 1 — Tool No. 8 and No. 9