

Teknisk specifikation

SIS-CEN/TS 12633:2014

Publicerad/Published: 2014-10-01
Utgåva/Edition: 1
Språk/Language: engelska/English
ICS: 93.080.20

Poleringsmetod för provkroppar innan mätning av friktionsegenskaper

Method of polishing specimens prior to the measurement of slip and skid resistance

This preview is downloaded from www.sis.se. Buy the entire standard via <https://www.sis.se/std-103043>

Standarder får världen att fungera

SIS (Swedish Standards Institute) är en fristående ideell förening med medlemmar från både privat och offentlig sektor. Vi är en del av det europeiska och globala nätverk som utarbetar internationella standarder. Standarder är dokumenterad kunskap utvecklad av framstående aktörer inom industri, näringsliv och samhälle och befrämjar handel över gränser, bidrar till att processer och produkter blir säkrare samt effektiviserar din verksamhet.

Delta och påverka

Som medlem i SIS har du möjlighet att påverka framtida standarder inom ditt område på nationell, europeisk och global nivå. Du får samtidigt tillgång till tidig information om utvecklingen inom din bransch.

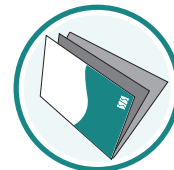
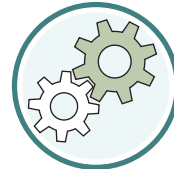
Ta del av det färdiga arbetet

Vi erbjuder våra kunder allt som rör standarder och deras tillämpning. Hos oss kan du köpa alla publikationer du behöver – allt från enskilda standarder, tekniska rapporter och standardpaket till handböcker och onlinetjänster. Genom vår webbtjänst e-nav får du tillgång till ett lättnavigerat bibliotek där alla standarder som är aktuella för ditt företag finns tillgängliga. Standarder och handböcker är källor till kunskap. Vi säljer dem.

Utveckla din kompetens och lyckas bättre i ditt arbete

Hos SIS kan du gå öppna eller företagsinterna utbildningar kring innehåll och tillämpning av standarder. Genom vår närhet till den internationella utvecklingen och ISO får du rätt kunskap i rätt tid, direkt från källan. Med vår kunskap om standarders möjligheter hjälper vi våra kunder att skapa verklig nytta och lönsamhet i sina verksamheter.

Vill du veta mer om SIS eller hur standarder kan effektivisera din verksamhet är du välkommen in på www.sis.se eller ta kontakt med oss på tel 08-555 523 00.



Standards make the world go round

SIS (Swedish Standards Institute) is an independent non-profit organisation with members from both the private and public sectors. We are part of the European and global network that draws up international standards. Standards consist of documented knowledge developed by prominent actors within the industry, business world and society. They promote cross-border trade, they help to make processes and products safer and they streamline your organisation.

Take part and have influence

As a member of SIS you will have the possibility to participate in standardization activities on national, European and global level. The membership in SIS will give you the opportunity to influence future standards and gain access to early stage information about developments within your field.

Get to know the finished work

We offer our customers everything in connection with standards and their application. You can purchase all the publications you need from us - everything from individual standards, technical reports and standard packages through to manuals and online services. Our web service e-nav gives you access to an easy-to-navigate library where all standards that are relevant to your company are available. Standards and manuals are sources of knowledge. We sell them.

Increase understanding and improve perception

With SIS you can undergo either shared or in-house training in the content and application of standards. Thanks to our proximity to international development and ISO you receive the right knowledge at the right time, direct from the source. With our knowledge about the potential of standards, we assist our customers in creating tangible benefit and profitability in their organisations.

If you want to know more about SIS, or how standards can streamline your organisation, please visit www.sis.se or contact us on phone +46 (0)8-555 523 00



Denna tekniska specifikation är inte en svensk standard. Detta dokument innehåller den engelska språkversionen av CEN/TS 12633:2014.

This Technical Specification is not a Swedish Standard. This document contains the English version of CEN/TS 12633:2014.

© Copyright/Upphovsrätten till denna produkt tillhör SIS, Swedish Standards Institute, Stockholm, Sverige. Användningen av denna produkt regleras av slutanvändarlicensen som återfinns i denna produkt, se standardens sista sidor.

© Copyright SIS, Swedish Standards Institute, Stockholm, Sweden. All rights reserved. The use of this product is governed by the end-user licence for this product. You will find the licence in the end of this document.

Uppllysningar om sakinnehållet i detta dokument lämnas av SIS, Swedish Standards Institute, telefon 08-555 520 00. Standarder kan beställas hos SIS Förlag AB som även lämnar allmänna uppllysningar om nationell och internationell standard.

Information about the content of this document is available from the SIS, Swedish Standards Institute, telephone +46 8 555 520 00. Standards may be ordered from SIS Förlag AB, who can also provide general information about national and international standards.

Dokumentet är framtaget av kommittén för Natursten, SIS/TK 508.

Har du synpunkter på innehållet i det här dokumentet, vill du delta i ett kommande revideringsarbete eller vara med och ta fram standarder inom området? Gå in på www.sis.se - där hittar du mer information.

TECHNICAL SPECIFICATION
SPÉCIFICATION TECHNIQUE
TECHNISCHE SPEZIFIKATION

CEN/TS 12633

September 2014

ICS 93.080.20

Supersedes ENV 12633:2003

English Version

**Method of polishing specimens prior to the measurement of slip
and skid resistance**

Méthode de détermination de la valeur de résistance au
dérapage/à la glissance d'unités de pavage polies ou non
polies

Verfahren zur Bestimmung des Griffigkeitsbeiwertes vor
und nach Polierung

This Technical Specification (CEN/TS) was approved by CEN on 10 September 2013 for provisional application.

The period of validity of this CEN/TS is limited initially to three years. After two years the members of CEN will be requested to submit their comments, particularly on the question whether the CEN/TS can be converted into a European Standard.

CEN members are required to announce the existence of this CEN/TS in the same way as for an EN and to make the CEN/TS available promptly at national level in an appropriate form. It is permissible to keep conflicting national standards in force (in parallel to the CEN/TS) until the final decision about the possible conversion of the CEN/TS into an EN is reached.

CEN members are the national standards bodies of Austria, Belgium, Bulgaria, Croatia, Cyprus, Czech Republic, Denmark, Estonia, Finland, Former Yugoslav Republic of Macedonia, France, Germany, Greece, Hungary, Iceland, Ireland, Italy, Latvia, Lithuania, Luxembourg, Malta, Netherlands, Norway, Poland, Portugal, Romania, Slovakia, Slovenia, Spain, Sweden, Switzerland, Turkey and United Kingdom.



EUROPEAN COMMITTEE FOR STANDARDIZATION
COMITÉ EUROPÉEN DE NORMALISATION
EUROPÄISCHES KOMITEE FÜR NORMUNG

CEN-CENELEC Management Centre: Avenue Marnix 17, B-1000 Brussels

Contents

	Page
Foreword.....	3
Introduction	4
1 Scope	5
2 Normative references	5
3 Principle.....	5
4 Apparatus	5
5 Sampling of test specimens	8
6 Preparation of test specimen	8
7 Polishing procedure	9
8 Validation of polishing procedure.....	9
9 Test report	10
Annex A (informative) Preparation of reference material specimens.....	11
A.1 Reference material.....	11
A.2 Apparatus and equipment	11
A.3 Preparation of reference material specimens.....	12
Bibliography.....	13

Foreword

This document (CEN/TS 12633:2014) has been prepared by Technical Committee CEN/TC 178 “Paving units and kerbs”, the secretariat of which is held by BSI.

This document supersedes ENV 12633:2003.

Attention is drawn to the possibility that some of the elements of this document may be the subject of patent rights. CEN [and/or CENELEC] shall not be held responsible for identifying any or all such patent rights.

According to the CEN-CENELEC Internal Regulations, the national standards organizations of the following countries are bound to announce this Technical Specification: Austria, Belgium, Bulgaria, Croatia, Cyprus, Czech Republic, Denmark, Estonia, Finland, Former Yugoslav Republic of Macedonia, France, Germany, Greece, Hungary, Iceland, Ireland, Italy, Latvia, Lithuania, Luxembourg, Malta, Netherlands, Norway, Poland, Portugal, Romania, Slovakia, Slovenia, Spain, Sweden, Switzerland, Turkey and the United Kingdom

Introduction

Health and safety aspects

WARNING: The application of emery polishing agents during the course of the operations described in this Technical Specification can generate particles that could be injurious to health. It is essential to ensure that appropriate precautions are taken, e.g. the use of dust masks and/or dust extracting facilities. It is also essential to ensure that the equipment is electrically safe in wet test conditions.

1 Scope

This Technical Specification describes a laboratory method for polishing paving units using a flat-bed polishing machine prior to the measurement of slip and skid resistance to evaluate the durability of this characteristic. This Technical Specification may not be applicable to profiled paving units: for these types of units the method of polishing does not reflect the polishing in practice.

2 Normative references

The following documents, in whole or in part, are normatively referenced in this document and are indispensable for its application. For dated references, only the edition cited applies. For undated references, the latest edition of the referenced document (including any amendments) applies.

EN 772-20, *Methods of test for masonry units - Part 20: Determination of flatness of faces of aggregate concrete, manufactured stone and natural stone masonry units*

EN 772-1, *Methods of test for masonry units - Part 1: Determination of compressive strength*

ISO 48, *Rubber, vulcanized or thermoplastic — Determination of hardness (hardness between 10 IRHD and 100 IRHD)*

3 Principle

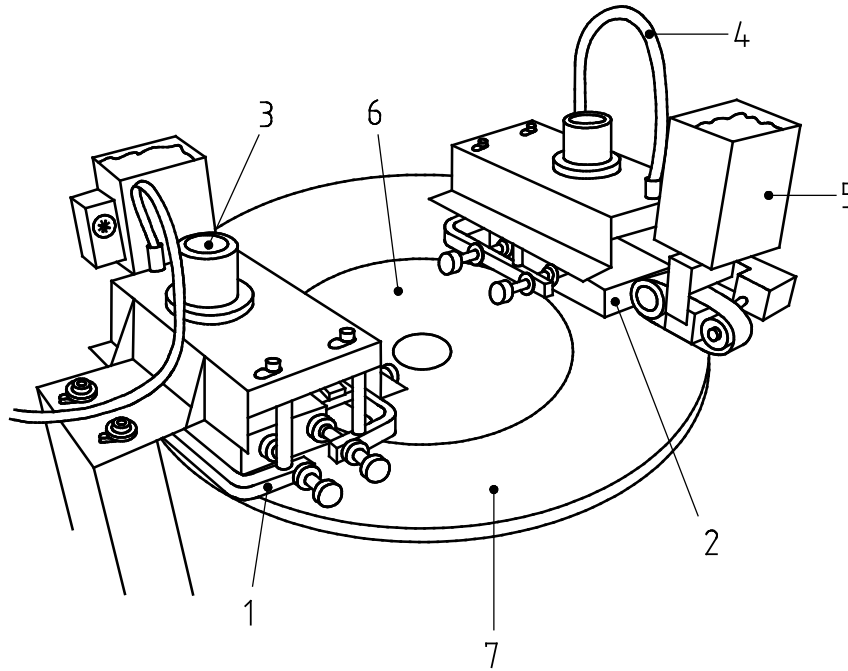
The Technical Specification describes the test method for polishing paving units using an abrasive agent in contact with a rotating resilient mat.

4 Apparatus

4.1 Straight-edge

4.2 Set of feeler gauges with a width of (6 ± 1) mm capable of measuring with an accuracy to 0,05 mm

4.3 Flat-bed polishing machine (see Figure 1) comprising the following:



Key

- | | | | |
|---|-----------------|---|---|
| 1 | sample holder | 5 | emery hoppers with adjustable conveyors |
| 2 | sample | 6 | lap wheel |
| 3 | adjustable mass | 7 | rubber annulus |
| 4 | water supply | | |

Figure 1 — Flat-bed polishing machine

- a) a machined, flat circular cast iron or steel grinding lap not less than (600 ± 3) mm in diameter, which can be rotated in a horizontal plane at a speed of (29 ± 1) r/min;
- b) a flat smooth-surfaced natural rubber annulus of (600 ± 3) mm external diameter, approximately (320 ± 3) mm internal diameter and a thickness of (9 ± 1) mm fixed to the upper surface.

The rubber annulus shall have a hardness from 60 to 75 IRHD in accordance with ISO 48. It shall be covered by a certificate of conformity from the manufacturer which includes the date of manufacture.

It should be stored in the dark at a temperature in the range $5\text{ }^{\circ}\text{C}$ to $25\text{ }^{\circ}\text{C}$ and should be conditioned by bringing to a temperature of $(20 \pm 5)\text{ }^{\circ}\text{C}$ throughout its mass before fixing to the grinding plate. The annulus can be used as long as the hardness remains in the specification.

If glue is used to attach the annulus to the grinding plate, care should be taken to ensure it does not affect the hardness of the rubber.

- c) two adjustable metal holders capable of loosely holding in place specimens conforming to Clause 6;
- d) means of locating, two specimens within the two holders according to the following configuration:
- with the centre points of their outer edges (270 ± 1) mm from the centre of the lap;
 - positioned diametrically opposite to each other;
 - with their long sides lying in the direction of rotation of the lap.

The specimens shall be free to move in a vertical plane but be restrained from moving in the horizontal plane.

- e) means to ensure that the required load can be applied evenly at the centre of each test specimen and which can move in a vertical direction;
- f) weights which permit uniform loading of the test specimen against the surface of the rubber annulus and which, including test specimen, tray (if used) and adjustable weight, will provide a contact stress of $(2\,250 \pm 50)$ N/m² over the area of the final prepared contact surface;

NOTE This stress corresponds to a total mass of 2,924 kg for an area of 150 mm × 85 mm.

- g) separate mechanisms to feed corn emery and emery flour and a means to feed water.

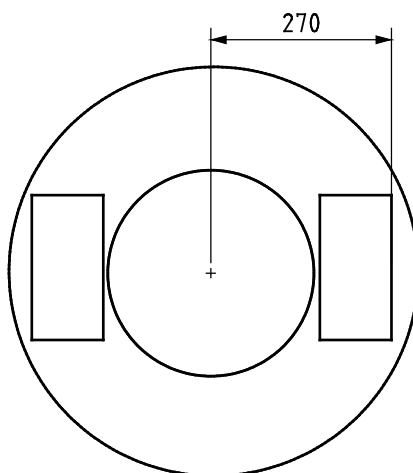


Figure 2 — Position of the units onto the flat-bed polishing machine

4.4 Polishing media, consisting of the following:

- a) fresh natural corn emery, of a grading that conforms with Table 1;

Table 1 — Grading requirements for corn emery

Nominal width of sieve aperture	total passing
µm	%
600	98 to 100
500	70 to 100
425	30 to 90
355	0 to 30
300	0 to 5

- b) fresh air-floated or water-washed emery flour 95 % of which passes a 50 µm test sieve.

The polishing media shall be used once only.

4.5 Reference material

The reference material is a control stone specimen prepared as described in Annex A.

The control stone specimens may be replaced for internal control by secondary control specimens defined by the laboratory.