

# SVENSK STANDARD

## SS-EN 16434:2014



Fastställt/Approved: 2014-02-24  
Publicerad/Published: 2014-02-25  
Utgåva/Edition: 1  
Språk/Language: engelska/English  
ICS: 91.060.50

---

### **Invändiga solskydd – Skydd mot strypfara – Krav och provningsmetoder för säkerhetsanordningar**

### **Internal blinds – Protection from strangulation hazards – Requirements and test methods for safety devices**

This preview is downloaded from [www.sis.se](http://www.sis.se). Buy the entire standard via <https://www.sis.se/std-101081>

# Standarder får världen att fungera

*SIS (Swedish Standards Institute) är en fristående ideell förening med medlemmar från både privat och offentlig sektor. Vi är en del av det europeiska och globala nätverk som utarbetar internationella standarder. Standarder är dokumenterad kunskap utvecklad av framstående aktörer inom industri, näringsliv och samhälle och befrämjar handel över gränser, bidrar till att processer och produkter blir säkrare samt effektiviserar din verksamhet.*

## Delta och påverka

Som medlem i SIS har du möjlighet att påverka framtida standarder inom ditt område på nationell, europeisk och global nivå. Du får samtidigt tillgång till tidig information om utvecklingen inom din bransch.

## Ta del av det färdiga arbetet

Vi erbjuder våra kunder allt som rör standarder och deras tillämpning. Hos oss kan du köpa alla publikationer du behöver – allt från enskilda standarder, tekniska rapporter och standardpaket till handböcker och onlinetjänster. Genom vår webbtjänst e-nav får du tillgång till ett lättnavigerat bibliotek där alla standarder som är aktuella för ditt företag finns tillgängliga. Standarder och handböcker är källor till kunskap. Vi säljer dem.

## Utveckla din kompetens och lyckas bättre i ditt arbete

Hos SIS kan du gå öppna eller företagsinterna utbildningar kring innehåll och tillämpning av standarder. Genom vår närhet till den internationella utvecklingen och ISO får du rätt kunskap i rätt tid, direkt från källan. Med vår kunskap om standarders möjligheter hjälper vi våra kunder att skapa verklig nytta och lönsamhet i sina verksamheter.

**Vill du veta mer om SIS eller hur standarder kan effektivisera din verksamhet är du välkommen in på [www.sis.se](http://www.sis.se) eller ta kontakt med oss på tel 08-555 523 00.**



# Standards make the world go round

*SIS (Swedish Standards Institute) is an independent non-profit organisation with members from both the private and public sectors. We are part of the European and global network that draws up international standards. Standards consist of documented knowledge developed by prominent actors within the industry, business world and society. They promote cross-border trade, they help to make processes and products safer and they streamline your organisation.*

## Take part and have influence

As a member of SIS you will have the possibility to participate in standardization activities on national, European and global level. The membership in SIS will give you the opportunity to influence future standards and gain access to early stage information about developments within your field.

## Get to know the finished work

We offer our customers everything in connection with standards and their application. You can purchase all the publications you need from us - everything from individual standards, technical reports and standard packages through to manuals and online services. Our web service e-nav gives you access to an easy-to-navigate library where all standards that are relevant to your company are available. Standards and manuals are sources of knowledge. We sell them.

## Increase understanding and improve perception

With SIS you can undergo either shared or in-house training in the content and application of standards. Thanks to our proximity to international development and ISO you receive the right knowledge at the right time, direct from the source. With our knowledge about the potential of standards, we assist our customers in creating tangible benefit and profitability in their organisations.

**If you want to know more about SIS, or how standards can streamline your organisation, please visit [www.sis.se](http://www.sis.se) or contact us on phone +46 (0)8-555 523 00**



Europastandarden EN 16434:2014 gäller som svensk standard. Detta dokument innehåller den officiella engelska versionen av EN 16434:2014.

The European Standard EN 16434:2014 has the status of a Swedish Standard. This document contains the official version of EN 16434:2014.

© Copyright/Upphovsrätten till denna produkt tillhör SIS, Swedish Standards Institute, Stockholm, Sverige. Användningen av denna produkt regleras av slutanvändarlicensen som återfinns i denna produkt, se standardens sista sidor.

© Copyright SIS, Swedish Standards Institute, Stockholm, Sweden. All rights reserved. The use of this product is governed by the end-user licence for this product. You will find the licence in the end of this document.

*Uppllysningar om sakinnehållet i standarden lämnas av SIS, Swedish Standards Institute, telefon 08-555 520 00. Standarder kan beställas hos SIS Förlag AB som även lämnar allmänna uppllysningar om svensk och utländsk standard.*

*Information about the content of the standard is available from the Swedish Standards Institute (SIS), telephone +46 8 555 520 00. Standards may be ordered from SIS Förlag AB, who can also provide general information about Swedish and foreign standards.*

Denna standard är framtagen av kommittén för Fönster, dörrar, portar, glasfasader, beslag och byggglas, SIS/TK 179.

Har du synpunkter på innehållet i den här standarden, vill du delta i ett kommande revideringsarbete eller vara med och ta fram andra standarder inom området? Gå in på [www.sis.se](http://www.sis.se) - där hittar du mer information.



EUROPEAN STANDARD

**EN 16434**

NORME EUROPÉENNE

EUROPÄISCHE NORM

February 2014

---

ICS 91.060.50

English Version

## Internal blinds - Protection from strangulation hazards - Requirements and test methods for safety devices

Stores intérieurs - Protection contre les risques de  
strangulation - Exigences et méthodes d'essai pour les  
dispositifs de sécurité

Innere Abschlüsse - Schutz vor Strangulationsgefahren -  
Anforderungen und Prüfverfahren für  
Sicherheitseinrichtungen

This European Standard was approved by CEN on 26 October 2013.

CEN members are bound to comply with the CEN/CENELEC Internal Regulations which stipulate the conditions for giving this European Standard the status of a national standard without any alteration. Up-to-date lists and bibliographical references concerning such national standards may be obtained on application to the CEN-CENELEC Management Centre or to any CEN member.

This European Standard exists in three official versions (English, French, German). A version in any other language made by translation under the responsibility of a CEN member into its own language and notified to the CEN-CENELEC Management Centre has the same status as the official versions.

CEN members are the national standards bodies of Austria, Belgium, Bulgaria, Croatia, Cyprus, Czech Republic, Denmark, Estonia, Finland, Former Yugoslav Republic of Macedonia, France, Germany, Greece, Hungary, Iceland, Ireland, Italy, Latvia, Lithuania, Luxembourg, Malta, Netherlands, Norway, Poland, Portugal, Romania, Slovakia, Slovenia, Spain, Sweden, Switzerland, Turkey and United Kingdom.



EUROPEAN COMMITTEE FOR STANDARDIZATION  
COMITÉ EUROPÉEN DE NORMALISATION  
EUROPÄISCHES KOMITEE FÜR NORMUNG

**CEN-CENELEC Management Centre: Avenue Marnix 17, B-1000 Brussels**

<b>Contents</b>		Page
<b>Foreword</b> .....		<b>3</b>
<b>1 Scope</b> .....		<b>4</b>
<b>2 Normative references</b> .....		<b>4</b>
<b>3 Terms and definitions</b> .....		<b>4</b>
<b>4 General</b> .....		<b>4</b>
<b>5 Artificial ageing</b> .....		<b>5</b>
5.1 Exposure to UV.....		5
5.2 Mechanical endurance.....		5
5.3 Effect of temperature .....		5
<b>6 Tensioning device</b> .....		<b>5</b>
6.1 General .....		5
6.2 Test methods .....		7
6.3 Requirements.....		8
<b>7 Breakaway device</b> .....		<b>8</b>
7.1 General .....		8
7.2 Test method .....		8
7.3 Requirements.....		11
<b>8 Accumulation device</b> .....		<b>11</b>
8.1 General .....		11
8.2 Test method .....		11
8.3 Requirements.....		11
<b>9 Non tangling device</b> .....		<b>11</b>
9.1 General .....		11
9.2 Test method .....		12
9.3 Requirements.....		12
<b>10 Inner cord stop</b> .....		<b>12</b>
10.1 General .....		12
10.2 Test method .....		12
10.3 Requirements.....		13
<b>11 Additional requirements</b> .....		<b>13</b>
11.1 General .....		13
11.2 Release of small components.....		13
11.3 Impact resistance.....		14
<b>12 Information and instruction for installation, use and maintenance</b> .....		<b>14</b>
12.1 General .....		14
12.2 Information .....		14
12.3 Instructions (for retrofitting purpose only) .....		15
12.4 Marking .....		16
<b>13 Factory Production Control (FPC)</b> .....		<b>16</b>
<b>Annex A (informative) Tests to be carried out on safety devices</b> .....		<b>17</b>
<b>Bibliography</b> .....		<b>18</b>

## Foreword

This document (EN 16434:2014) has been prepared by Technical Committee CEN/TC 33 “Doors, windows, shutters, building hardware and curtain walling”, the secretariat of which is held by AFNOR.

This European Standard shall be given the status of a national standard, either by publication of an identical text or by endorsement, at the latest by August 2014, and conflicting national standards shall be withdrawn at the latest by August 2014.

Attention is drawn to the possibility that some of the elements of this document may be the subject of patent rights. CEN [and/or CENELEC] shall not be held responsible for identifying any or all such patent rights.

This document has been prepared under a mandate given to CEN by the European Commission and the European Free Trade Association.

This document is part of a series of standards dealing with blinds and shutters for buildings as defined in EN 12216.

It is the intention that safety devices used in EN 13120 conform to EN 16434 for component testing and EN 16433 for functionality.

According to the CEN-CENELEC Internal Regulations, the national standards organizations of the following countries are bound to implement this European Standard: Austria, Belgium, Bulgaria, Croatia, Cyprus, Czech Republic, Denmark, Estonia, Finland, Former Yugoslav Republic of Macedonia, France, Germany, Greece, Hungary, Iceland, Ireland, Italy, Latvia, Lithuania, Luxembourg, Malta, Netherlands, Norway, Poland, Portugal, Romania, Slovakia, Slovenia, Spain, Sweden, Switzerland, Turkey and the United Kingdom.

## 1 Scope

This European Standard specifies requirements and test methods for safety devices to be used for protection from strangulation in internal blinds as specified in EN 13120 and insect screens as specified in EN 13561.

These devices might be fitted to internal blinds and insect screens at the time of manufacture or for retrofitting.

This European Standard applies to any design of device including the following:

- tensioning devices;
- breakaway devices;
- accumulation devices;
- non tangling devices;
- inner cord stops.

Although at the time this standard has been published, no product standard exists for draperies, requirements and test methods specified in the present standard may be applied to safety devices used in such products.

For clarification purpose, the term “internal blinds” used in the present standard should mean “internal blinds and insect screens”.

## 2 Normative references

The following documents, in whole or in part, are normatively referenced in this document and are indispensable for its application. For dated references, only the edition cited applies. For undated references, the latest edition of the referenced document (including any amendments) applies.

EN 12216, *Shutters, external blinds, internal blinds - Terminology, glossary and definitions*

EN 13120, *Internal blinds - Performance requirements including safety*

EN 13561, *External blinds - Performance requirements including safety*

EN 14201, *Blinds and shutters - Resistance to repeated operations (mechanical endurance) - Methods of testing*

EN 71-1, *Safety of toys - Part 1: Mechanical and physical properties*

EN ISO 4892-2, *Plastics - Methods of exposure to laboratory light sources - Part 2: Xenon-arc lamps (ISO 4892-2)*

EN ISO 4892-3, *Plastics - Methods of exposure to laboratory light sources - Part 3: Fluorescent UV lamps (ISO 4892-3)*

## 3 Terms and definitions

For the purposes of this document, the terms and definitions given in EN 12216, EN 13561 and EN 13120 apply.

## 4 General

In the testing of safety devices, all related parts associated with the protection from strangulation shall be included.



For example, a breakaway device for an operating ball-chain should cover the ball-chain and the connector if the connector is dependent on the ball diameter. If an inner cord breakaway device is dependent on the type of fabric used in the internal blind then the fabric should also be considered as a part of the safety device.

The number of samples tested shall be representative of the production run. Testing shall be repeated during the production to ensure that performances of devices are maintained. Testing shall be repeated whenever a change occurs in the design, in the composition, in the raw material or in the supplier of the raw material, or in the method of production.

NOTE Guidance on sampling procedures can be found in ISO 2859-1.

Although weights are used in the figures illustrating test methods, any other mechanical, hydraulic or pneumatic equipment may be used. All weights and forces shall be applied with a tolerance of  $\pm 1\%$ .

Unless specified otherwise, all tests defined in this standard shall be performed at  $23\text{ °C} \pm 5\text{ °C}$ .

Annex A presents a summary of the tests to be carried out on safety devices.

In the context of this standard, the term “cord(s)” used shall mean “cord(s), chain(s), ball-chain(s), tape(s) and similar”.

## **5 Artificial ageing**

### **5.1 Exposure to UV**

Before testing the safety devices, they shall be subjected to the cycle N°6 according to EN ISO 4892-2 or the cycle N°5 according to EN ISO 4892-3 for 500 h.

### **5.2 Mechanical endurance**

The mechanical endurance test is intended to reproduce the operating cycles of internal blinds.

Before testing the safety devices, they shall be submitted to the following endurance test: a mechanical endurance test shall be carried out either according to EN 14201 on a representative internal blind or using a mechanical test equipment reproducing the load conditions of the representative internal blind. 5 000 cycles of extension/retraction shall be considered. The internal blind considered for the test shall be the maximum size for which the safety device is intended.

### **5.3 Effect of temperature**

Before testing the safety devices, they shall be submitted to the following temperature conditions:

- Low temperature: the safety devices shall be submitted to conditioning at an air temperature of  $5\text{ °C} \pm 3\text{ °C}$  for a minimum of 4 h.
- High temperature: the safety devices shall be submitted to conditioning at an air temperature of  $60\text{ °C} \pm 3\text{ °C}$  for a minimum of 4 h.

The relevant tests of Clauses 6 to 11 shall then start at  $23\text{ °C} \pm 5\text{ °C}$  within 15 min.

## **6 Tensioning device**

### **6.1 General**

This clause applies to safety devices intended to maintain continuous cord(s) forming a loop under tension and secured to a fixed surface (e.g. window frame, wall).

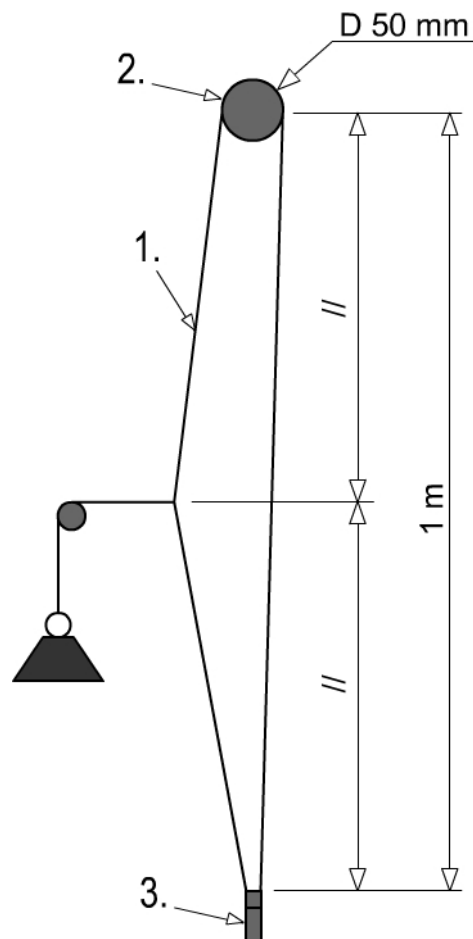
The test shall be carried out on the smallest and the largest diameter of cord(s) for which the tensioning device is designed.

The test shall be carried out on sample(s) as defined in Clause 4:

- in their original condition,
- that have been exposed to UV as specified in 5.1,
- that have been subjected to the mechanical endurance test as specified in 5.2,
- that have been subjected to the effect of temperature as specified in 5.3 (at low temperature and at high temperature).

Where a tensioning device is designed to accept more than one cord, each cord shall be tested separately.

It shall be verified that the fixed retaining device maintaining the cord(s) under tension shall not crack or fracture under the application of a horizontal load applied in the middle of the cord. In addition, it shall be verified that the cord is retained within the device when the device is fixed 10 mm higher than its intended position. The control mechanism shall be made of a pulley of 50 mm diameter. The length of the pull cord shall be 1 m (see Figure 1).



**Key**

- 1 pull cord(s)
- 2 pulley
- 3 retaining device

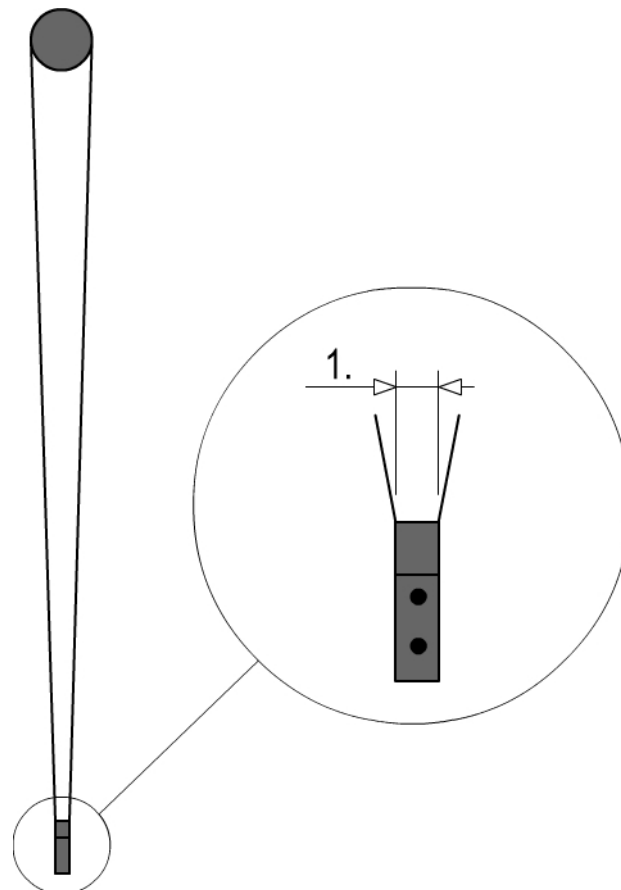
**Figure 1 — Principle of the test of tensioning device**

## 6.2 Test methods

### 6.2.1 Resistance of the retaining device

The tensioning device shall be installed according to the installation instructions of the manufacturer. The retaining device shall be installed at the maximum distance possible from the pulley (original position).

The distance between the two strands of the loop shall be measured at the point of exit from the tensioning device (see Figure 2).



#### Key

1 distance between the two strands

**Figure 2 — Measurement of the distance between the two strands**

A horizontal force shall be applied in the plane and at mid-point of the height of the loop (see Figure 1) in a progressive way over a period of maximum 5 s until the load defined in 6.3 is applied to one cord. The load shall be then maintained for 10 s.

The test shall be carried out with the load defined in 6.3.

The test shall be repeated with the force being applied in the direction perpendicular to the plane of the cord.

### 6.2.2 Retention of cords

The retaining device shall be installed at 10 mm above its original position (see 6.2.1). The cord shall then be pulled with the force defined in 6.3 in all possible directions.