

SVENSK STANDARD

SS-ISO 9448-8:2014

Fastställt/Approved: 2014-01-10
Publicerad/Published: 2014-01-14
Utgåva/Edition: 1
Språk/Language: engelska/English
ICS: 25.120.10

Pressverktyg – Styrbussningar – Del 8: Form G, glidande bussning, stegad, typ 1 (ISO 9448-8:2013, IDT)

Tools for pressing – Guide bushes – Part 8: Form G, gliding bushes, stepped, type 1 (ISO 9448-8:2013, IDT)

This preview is downloaded from www.sis.se. Buy the entire standard via <https://www.sis.se/std-100668>

Standarder får världen att fungera

SIS (Swedish Standards Institute) är en fristående ideell förening med medlemmar från både privat och offentlig sektor. Vi är en del av det europeiska och globala nätverk som utarbetar internationella standarder. Standarder är dokumenterad kunskap utvecklad av framstående aktörer inom industri, näringsliv och samhälle och befrämjar handel över gränser, bidrar till att processer och produkter blir säkrare samt effektiviserar din verksamhet.

Delta och påverka

Som medlem i SIS har du möjlighet att påverka framtida standarder inom ditt område på nationell, europeisk och global nivå. Du får samtidigt tillgång till tidig information om utvecklingen inom din bransch.

Ta del av det färdiga arbetet

Vi erbjuder våra kunder allt som rör standarder och deras tillämpning. Hos oss kan du köpa alla publikationer du behöver – allt från enskilda standarder, tekniska rapporter och standardpaket till handböcker och onlinetjänster. Genom vår webbtjänst e-nav får du tillgång till ett lättnavigerat bibliotek där alla standarder som är aktuella för ditt företag finns tillgängliga. Standarder och handböcker är källor till kunskap. Vi säljer dem.

Utveckla din kompetens och lyckas bättre i ditt arbete

Hos SIS kan du gå öppna eller företagsinterna utbildningar kring innehåll och tillämpning av standarder. Genom vår närhet till den internationella utvecklingen och ISO får du rätt kunskap i rätt tid, direkt från källan. Med vår kunskap om standarders möjligheter hjälper vi våra kunder att skapa verklig nytta och lönsamhet i sina verksamheter.

Vill du veta mer om SIS eller hur standarder kan effektivisera din verksamhet är du välkommen in på www.sis.se eller ta kontakt med oss på tel 08-555 523 00.



Standards make the world go round

SIS (Swedish Standards Institute) is an independent non-profit organisation with members from both the private and public sectors. We are part of the European and global network that draws up international standards. Standards consist of documented knowledge developed by prominent actors within the industry, business world and society. They promote cross-border trade, they help to make processes and products safer and they streamline your organisation.

Take part and have influence

As a member of SIS you will have the possibility to participate in standardization activities on national, European and global level. The membership in SIS will give you the opportunity to influence future standards and gain access to early stage information about developments within your field.

Get to know the finished work

We offer our customers everything in connection with standards and their application. You can purchase all the publications you need from us - everything from individual standards, technical reports and standard packages through to manuals and online services. Our web service e-nav gives you access to an easy-to-navigate library where all standards that are relevant to your company are available. Standards and manuals are sources of knowledge. We sell them.

Increase understanding and improve perception

With SIS you can undergo either shared or in-house training in the content and application of standards. Thanks to our proximity to international development and ISO you receive the right knowledge at the right time, direct from the source. With our knowledge about the potential of standards, we assist our customers in creating tangible benefit and profitability in their organisations.

If you want to know more about SIS, or how standards can streamline your organisation, please visit www.sis.se or contact us on phone +46 (0)8-555 523 00



Den internationella standarden ISO 9448-8:2013 gäller som svensk standard. Detta dokument innehåller den officiella engelska versionen av ISO 9448-8:2013.

The International Standard ISO 9448-8:2013 has the status of a Swedish Standard. This document contains the official version of ISO 9448-8:2013.

© Copyright/Upphovsrätten till denna produkt tillhör SIS, Swedish Standards Institute, Stockholm, Sverige. Användningen av denna produkt regleras av slutanvändarlicensen som återfinns i denna produkt, se standardens sista sidor.

© Copyright SIS, Swedish Standards Institute, Stockholm, Sweden. All rights reserved. The use of this product is governed by the end-user licence for this product. You will find the licence in the end of this document.

Upplysningar om sakinnehållet i standarden lämnas av SIS, Swedish Standards Institute, telefon 08-555 520 00. Standarder kan beställas hos SIS Förlag AB som även lämnar allmänna upplysningar om svensk och utländsk standard.

Information about the content of the standard is available from the Swedish Standards Institute (SIS), telephone +46 8 555 520 00. Standards may be ordered from SIS Förlag AB, who can also provide general information about Swedish and foreign standards.

Denna standard är framtagen av kommittén för Press- och formverktyg samt fixturdetaljer, SIS/TK 277.

Har du synpunkter på innehållet i den här standarden, vill du delta i ett kommande revideringsarbete eller vara med och ta fram andra standarder inom området? Gå in på www.sis.se - där hittar du mer information.

Contents

Page

Foreword	iv
1 Scope	1
2 Dimensions	1
3 Material	2
4 Designation	2
Bibliography	3

Foreword

ISO (the International Organization for Standardization) is a worldwide federation of national standards bodies (ISO member bodies). The work of preparing International Standards is normally carried out through ISO technical committees. Each member body interested in a subject for which a technical committee has been established has the right to be represented on that committee. International organizations, governmental and non-governmental, in liaison with ISO, also take part in the work. ISO collaborates closely with the International Electrotechnical Commission (IEC) on all matters of electrotechnical standardization.

The procedures used to develop this document and those intended for its further maintenance are described in the ISO/IEC Directives, Part 1. In particular the different approval criteria needed for the different types of ISO documents should be noted. This document was drafted in accordance with the editorial rules of the ISO/IEC Directives, Part 2. www.iso.org/directives

Attention is drawn to the possibility that some of the elements of this document may be the subject of patent rights. ISO shall not be held responsible for identifying any or all such patent rights. Details of any patent rights identified during the development of the document will be in the Introduction and/or on the ISO list of patent declarations received. www.iso.org/patents

Any trade name used in this document is information given for the convenience of users and does not constitute an endorsement.

For an explanation on the meaning of ISO specific terms and expressions related to conformity assessment, as well as information about ISO's adherence to the WTO principles in the Technical Barriers to Trade (TBT) see the following URL: Foreword - Supplementary information

The committee responsible for this document is ISO/TC 29, *Small tools*, Subcommittee SC 8, *Tools for pressing and moulding*.

This second edition results from the reinstatement of ISO 9448-8:1991, which was withdrawn in 2006 and with which it is technically identical.

ISO 9448 consists of the following parts, under the general title *Tools for pressing — Guide bushes*:

- Part 1: *Forms*
- Part 2: *Form A, gliding bushes, plain, type 1*
- Part 3: *Form B, ball cage bushes, plain, type 1*
- Part 4: *Form C, gliding bushes, headed, type 1*
- Part 5: *Form D, ball cage bushes, headed, type 1*
- Part 6: *Form E, gliding bushes, flanged, type 1*
- Part 7: *Form F, ball cage bushes, flanged, type 1*
- Part 8: *Form G, gliding bushes, stepped, type 1*
- Part 9: *Form B, ball cage bushes, plain, type 2*
- Part 10: *Form E, gliding bushes, flanged, type 2*
- Part 11: *Form F, ball cage bushes, flanged, type 2*

Tools for pressing — Guide bushes —

Part 8: Form G, gliding bushes, stepped, type 1

1 Scope

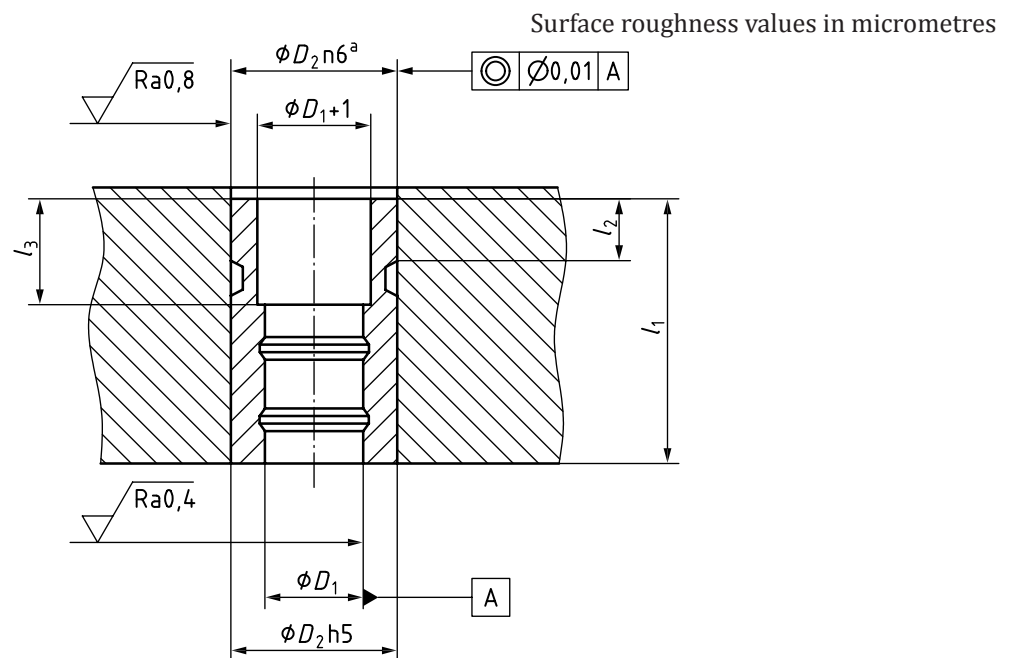
This part of ISO 9448 specifies the main dimensions and tolerances, in millimetres, of guide bushes of form G, stepped gliding bushes, type 1, intended for use in press tools and to be mounted in the clamp plate with interference fit over a certain length. The remaining portion of the length ensures the guiding. The bushes are provided with a clearance for lubrication.

It gives guidance on the materials, and specifies the hardness and the designation of bushes in accordance with this part of ISO 9448.

2 Dimensions

The dimensions of type 1 stepped gliding bushes (form G) shall conform to the indications of [Figure 1](#) and [Table 1](#).

Details not stated, such as chamfers, radii and lubrication grooves, are left to the manufacturer's discretion.



- ^a Intended to fit into a hole having a tolerance of H7. When the bushes are glued, tolerance j6 is permitted.

Figure 1 — Form G, stepped gliding bushes, type 1

Table 1

D_1	nom.	12		16		20		25		32		40		50		63		80		100	
	tol.	G6						G5													
D_2		22		28		32		40		48		58		70		85		105		125	
l_1	$\begin{matrix} 0 \\ -0,5 \end{matrix}$	l_2	l_3	l_2	l_3	l_2	l_3	l_2	l_3	l_2	l_3	l_2	l_3	l_2	l_3	l_2	l_3	l_2	l_3	l_2	l_3
20		6	8																		
25		6	8																		
32		6	8																		
36				9	13																
45						10	16														
50				9	13			13	20												
56										13	20										
63						10	16					14	21	14	21						
71								13	20							16	24				
80										13	20							18	26		
100												14	21	14	21					20	28
110																16	24				
125																		18	26		
140																				20	28

To prevent incorrect assembly of the upper and lower plates of the die set in relation to each other, the following values of D_1 are recommended: 11, 15, 19, 24, 30, 38, 48, 60, 76 and 95.

3 Material

The material is left to the manufacturer's discretion and the hardness shall be 60^{+2}_0 HRC.

4 Designation

A guide bush in accordance with this part of ISO 9448 shall be designated by:

- a) "Guide bush";
- b) a reference to this part of ISO 9448, i.e ISO 9448-8;
- c) its form;
- d) its guiding diameter, D_1 , in millimetres;
- e) its length, l_1 , in millimetres.

EXAMPLE A guide bush of form G, stepped gliding bush, type 1 of guiding diameter $D_1 = 12$ mm and of length $l_1 = 20$ mm is designated as follows:

Guide bush ISO 9448-8 G - 12 × 20